



INSTRUCTION MANUAL
MANUAL DE INSTRUCCIONES
NÁVOD NA POUŽITÍ
BEDIENUNGSANLEITUNG
MODE D'EMPLOI

CZ P-10

Before handling the pistol read this manual carefully and observe the following safety instructions.

Improper and careless handling of the pistol could result in unintentional discharge and could cause injury, death or damage to property. The same consequences can be caused by unauthorized modifications or adjustments, corrosion, or use of non-standard or damaged ammunition. In these cases the manufacturer shall not be responsible in any manner whatsoever for the resultant consequences. Before leaving the factory this pistol was tested, carefully inspected, and packed. CZ cannot accept responsibility for product handling while in transit, or upon leaving the factory. Therefore, please examine this pistol carefully at the time of purchase to ensure that it is unloaded and undamaged.

This instruction manual should always accompany this pistol and that even in the case of the loan or sale of this pistol.

CONTENTS

SAFETY INSTRUCTIONS	2
PISTOL DESCRIPTION AND TERMINOLOGY	5
Safety Features	6
OPERATING INSTRUCTIONS	6
Ammunition	6
Removal of the Magazine	6
Magazine Loading	6
Pistol Loading	7
Reloading During Shooting	7
Unloading the Pistol	7
Sight Adjustment	7
Changing the Back Strap Inserts	7
MAINTENANCE INSTRUCTIONS	8
Stripping for Cleaning - Disassembly	8
Magazine Disassembly	8
Cleaning the Pistol	8
Cleaning the Barrel Bore and the Cartridge Chamber	9
Cleaning of Other Pistol Parts	9
Preserving	9
Waste Management	9
TROUBLESHOOTING, CAUSES AND REMEDIES	11
ILLUSTRATION AND LIST OF PARTS	10
LIST OF ILLUSTRATIONS	11

SAFETY INSTRUCTIONS

Always follow the safety instructions for your safety and the safety of others.

1. Always handle your pistol as if it were loaded.
2. Never point your pistol at anything you do not intend to shoot.
3. Never take anyone's word that a gun is unloaded.
4. Always make sure that your pistol is not loaded before laying it down, or handing it to another person.
5. Always keep and carry your pistol empty, except when you intend to shoot.
6. Never abuse your pistol by using it for any purpose other than shooting.
7. Never leave the pistol cocked and ready to fire unattended.
8. Before loading your pistol be sure that the barrel bore, chamber, and action are clean and clear of obstructions. After shooting, clean the dirtied pistol as soon as possible.
9. Do not shoot the pistol, unless you are certain about the ammunition you are using. Do not use unmarked or hand-loaded ammunition from an unknown source, ammunition with a cracked, deformed or dented case or with a damaged bullet. Reloading is an expert activity and incorrectly reloaded ammunition may be extremely dangerous. It may result in heavy damage or destruction of the pistol and serious injury or death of the shooter or other persons. Always use only clean, dry, original high quality commercially manufactured ammunition, which is appropriate to the caliber of your pistol.
10. Never drink alcoholic beverages or take drugs before or during shooting.
11. Always wear safety glasses and ear protection when shooting.
12. Always keep clear and keep others clear of the ejection port.
13. Never squeeze the trigger or put your finger in the trigger guard until you are aiming at a target and ready to shoot.
14. Always be absolutely sure of your target, and the area behind it, before you squeeze the trigger. A bullet could travel through or past your target up to several hundred meters.
15. Never shoot at a hard surface such as rock, or a liquid surface such as water.
16. Never fire your pistol near an animal unless it is trained to accept the noise.
17. Never indulge in "horseplay" while holding your pistol.
18. Failure to fire: In case of failure to fire hold the firearm keeping it pointed towards the target, or a safe open area and wait 30 seconds. If a hangfire (slow ignition) has occurred, the cartridge will fire within 30 seconds. If the cartridge does not fire, eject the cartridge and examine it. If the firing pin indent on the cartridge is light, or non-existent, have the firearm examined by a competent gunsmith.
19. Always make sure your pistol is not loaded before cleaning, storing or travelling. Remove any unused ammunition from the pistol and store it in compliance with the law.
20. Always keep and store your pistol and ammunition in separate locked receptacles out of reach and sight of children and untrained people. Always protect the ammunition from sources of heat and open fire.
21. Never alter any parts of your pistol as the safety and proper function of your pistol could be seriously compromised.

22. Always be aware that corrosion, use of damaged ammunition, dropping the pistol on hard surfaces or other "coarse treatment" could cause damage you may not see. If something like this happens allow the pistol to be examined and tested by a competent gunsmith.

RULES OF THE SAFE HANDLING TRITIUM SIGHTS



Tritium sights for CZ pistols involve a luminous front sight (tritium radiator of 0,55 GBq activity) and a luminous rear sight (2 tritium radiators of 0,55444 GBq activity) that is installed at the pistol by means of precision dovetails. Tritium in the gaseous state (99% HT and 1% HTO) is enclosed in plastic ampoules with a luminescent element and these ampoules are fixed by glue into the metallic cap of the sight so that the manipulation and storage of the sights is not exposed to any risks. The sights are marked as H3 (radioactive tritium).

The third generation of the sights retains all the advantageous features of the preceding generation of sights and several improvements are added:

- built-in shock absorber
- solid protective bushing providing less sensitivity against rough manipulation
- immovable window for a better light output with additional protection against a damage
- tolerance against longer immersion in currently used solvents and cleaning agents
- guaranteed continuous available light intensity for the period of 12 years
- sealing design protects the sights against an accidental damage, avoids the unwanted manipulation with the light source, inhibits to penetrate the dirt into the visual system and to hide the light
- provided a finer transition between the aiming during the day and the night
- simple installation (no modification of the arm is necessary)
- no added weight nor size
- no maintenance
- no battery needed (no losses of the energy at the cold weather)

Safety instructions in case of the sights damage

In regular conditions of the storage, use and maintenance there is no risk to the user caused by emitted ionizing radiation, because it doesn't penetrate metallic caps, in which the ampoules with radiators are fixed. In case of a nearly unreal incidental damage of all ampoules in one set at the moment, when the arm is in shooting position (position of the sights closer to the shooter), the single effective radiation dose wouldn't exceed the value of 0,26 mSv. What does this value present? It is for example:

- 1/12 of the dose which is received by an ordinary inhabitant in course of a year due to the natural radioactive background (3,5 mSv / year)
- less than 1/4 of the general effective dose limit to an ordinary inhabitant

Recommended first aid at the inspiration of the gaseous tritium

The gaseous tritium state is practically inactive and causes a slight internal contamination. In case of its inspiration it is recommended to increase the intake of liquids and eventually to take some diuretic (beer with low content of alcohol) for acceleration of the body water exchange.

DUTIES OF THE TRITIUM SIGHTS OWNER

1. The sights are a radioactive radiator in the period of 6,5 years since their purchase according to the Czech Republic legislation.
2. At the purchase the owner obtains a guide with rules of the safe handling and a document on the on the impermeability of the radionuclidic radiators in the set (certificate of the encased radionuclidic radiator), which must be preserved and presented on request of the competent authority.
3. When handling a type approved product, which is the source of the ionizing radiation, it is necessary to respect national regulations for protection against he ionizing radiation (the appropriate national legislation).
4. In case of the ownership of more than 9 sets of sights (the total activity exceeding 10 GBq) the owner is obliged to consult the duties resulting from the appropriate national legislation at the competent authority.
5. To avoid such manipulation, when a rough mechanical damage of the sights may happen.
6. It is not allowed to carry out any changes, relating to the properties of the protection against the radiation.
7. In case of the destruction or the damage, the sights mustn't be further used. The owner is obliged to secure safely the device changed in such a way and to pass it to the distributor or the manufacturer for the safe liquidation. The same procedure to be applied for liquidation of no more used sights.
8. The manipulation with sights is governed by general principles of the protection against the ionizing radiation. At the current use there are no requested tests of impermeability during the service life of the sights.

The sights were type approved by the decision of the competent authority Ref. No. SÚJB/RCAB/9960/2014.

20.4.2015
Státní úřad pro jadernou bezpečnost
Regionální centrum Praha
Bartošková 28
140 00 Praha 4

PISTOL DESCRIPTION AND TERMINOLOGY

The names of basic pistol parts used in this Instruction Manual are presented in Fig. 1 on the inner side of the left-hand cover. Nomenclature of all parts are presented in the section *List of Parts*.

The CZ P-10 is a semi-automatic handgun incorporating short recoil, designed for aimed shooting up to 50 m distances. The pistol utilizes the locked breech principle. It is fitted with a precocked SA trigger mechanism, the firing pin is blocked with an internal (automatic) safety. The frame is made from plastic material. Characteristic features of the CZ P-10 are:

- Comfortable grip and balance in either hand
- Good results at instinctive shooting (without aiming)
- Low trigger pull weight
- High accuracy of fire
- Long service life
- High reliability, even with various types of cartridges
- Sights adapted also for aiming under reduced visibility conditions
- The slide stays open after the last cartridge has been fired
- Suitable for everyday service gun toting
- The standard pistol version is provided with ambidextrous/reversible magazine catch and ambidextrous slide stop
- The front part of the frame provided with grooves for applying special accessories
- Possibility of increasing the magazine capacity by easy replacement of the magazine bottom

The CZ P-10 Optics Ready pistols are factory modified for easy and very stable installation of modern compact collimator sights from a broad range of proven manufacturers (e.g. Trijicon, Vortex, Meopta, Leupold). The main advantages of the CZ Optics Ready pistols include:

- exceptional robustness, strength and durability of the mount
- low mount height
- easy sighting of the collimator sight even at longer distances
- the possibility to use raised co-witness mechanical sights in case of any failure of the optical sights (standard equipment for CZ P-10 C Optics Ready)
- compatibility with many popular collimator sights (the sight is not included in the package)
- the design corresponds to the shape of standard CZ pistols

Comments:***Precocked SA (Single Action)***

Precocked single action trigger mechanism. Before firing, the firing mechanism with striker is partially precocked. When the trigger is pulled, it is further cocked and finally released. After each firing, the trigger must be partially released.

Safety Features***Trigger Guard***

Prevents unintentional pressing of the trigger, for example when the pistol is dropped.

Fall safety

Minimizes the risk of unwanted firing during improper handling, especially when a loaded pistol falls and there is a risk of firing due to inertia of the firing pin.

Trigger safety

Prevents unwanted movement of the trigger. Unless the trigger safety is deactivated, the trigger cannot be pulled, thus the pistol cannot be fired.

Firing pin blocking

Prevents the movement of the firing pin when the trigger is not pulled.

OPERATING INSTRUCTIONS**Ammunition**

Always use ammunition in an allowable production design which is in compliance with standards applicable for ammunition manufacturers and is approved by the CIP (Permanent International Commission for Firearms Testing) or SAAMI (Sporting Arms and Ammunition Manufacturers' Institute Inc. of the United States). The use of other cartridges could damage the handgun or cause injury to the shooter. When using factory-made ammunition with standard speed, the use of firearms produced by Česká zbrojovka a.s. is safe. Check the ammunition you are going to use to make sure that it corresponds to the caliber of your firearm. Commercially produced ammunition is clearly marked with the caliber on the bottom or around the bottom of each cartridge case. The manufacturer of the firearm does not recommend excessive dry firing (firing without ammunition). It is advisable to use snap caps for dry training as they are intended for this purpose.

Removal of the Magazine

The pistol is equipped with an ambidextrous/reversible magazine catch. Grip the pistol in your right (left) hand and by the thumb (middle finger) depress the magazine catch (Fig. 2). The magazine disengages and falls out of the frame.

Magazine Loading

With the open end uppermost, grasp the magazine in one hand. Place a cartridge on the magazine follower. Press the cartridge down and back until it touches the rear flat edge of the magazine (Fig. 3). Place the next cartridge on top of the previous cartridge and press down and back. We recommend that when some cartridges are already loaded in the magazine, depress them slightly with the thumb of the hand which holds the magazine.

The number of cartridges can be checked through the inspection holes. Do not try to exceed the magazine capacity - doing so can cause a feeding failure.

Pistol Loading

ALWAYS MAKE SURE THE PISTOL IS POINTED IN A SAFE DIRECTION WHEN LOADING!

Insert a loaded magazine and ensure that it has engaged the magazine catch.

Hold the pistol by the grip with one hand, and with the thumb and index finger grasp the serrated finger grips on both sides of the slide. Retract the slide to the stop and allow it to snap forward (Fig. 4). This procedure precocks the trigger and firing mechanism and inserts a cartridge into the chamber. The pistol is now ready to fire.

Reloading During Shooting

When the last cartridge has been fired the slide will stay to the rear. Remove the emptied magazine and replace it with a loaded one. Thumb down the slide stop with the shooting hand (Fig. 5), or with the other hand draw back the slide and allow it to snap forward. The pistol is again loaded and ready to fire.

Unloading the Pistol

ALWAYS MAKE SURE THE PISTOL IS POINTED IN A SAFE DIRECTION!

- Remove the magazine
- Draw back the slide and verify the last cartridge has been extracted from the chamber and ejected
- Let the slide snap fully forward
- Depress the trigger (dry fire)

Sight Adjustment

The pistol sights were sighted in at the manufacturing plant at a distance of 15 m (CZ P-10 F at 25 m) so that the mean point of impact approximately conforms to the point of aim. Windage correction can be carried out by the drifting of the rear sight in the dovetail and then secured in its position by screw. Elevation correction is carried out by exchanging the front sight for higher or lower sizes and by securing with a screw.

Changing the Back Strap Inserts

Each pistol is supplied with a set of changeable back strap inserts, which enables the rear part of the grip to be adjusted according to the individual needs of the user. In order to change the back strap inserts it is necessary to remove the back strap pin (Fig. 6).

MAINTENANCE INSTRUCTIONS

Stripping for Cleaning - Disassembly

POINT YOUR PISTOL IN A SAFE DIRECTION!

1. Remove the magazine. The pistol must not be disassembled with the magazine inserted!
2. MAKE SURE THAT THERE IS NO CARTRIDGE IN THE CHAMBER!
3. Pull the trigger and make sure that it remains in the rear position.
4. Grasp the frame with your palm, use the fingers of the same hand to grasp the rear part of the slide from the top. Use your fingers to move the slide back by no more than 5 mm (Fig. 7).
5. Use the fingers of your other hand to push the disassembly plate downwards until it stops. (Fig. 8).
6. Release the pressure on the slide and remove it from the frame (Fig. 9)
7. Remove the recoil spring from the slide and finally the barrel.

Note: Before reassembling the slide on the frame, the trigger must be put to the rear (pulled) position to prevent the frame colliding with the protrusion on the trigger bar.

No further disassembly is needed for routine maintenance. When a great number of cartridges has been fired, it is advisable to also disassemble magazine and to entrust the pistol to a competent gunsmith for the firing pin cleaning.

Magazine Disassembly

There is a difference depending on the magazine design. If there is a hole in the magazine base, push the base lock through the hole and slide the base slightly forward. If the rear part of the magazine is fitted with a sliding base lock, move it into disassembly position and slide the base slightly forward. Cover the base with your thumb to hold the spring and use the other hand to slide the base completely out of its guiding rails. Be careful during the disassembly as the spring could fly out, or even cause an injury.

CAUTION:

No further disassembly of your pistol is recommended. Should your pistol require adjustment or repair be sure the task is entrusted to a competent gunsmith!

Cleaning the Pistol

- Clean the pistol
- Each time you use it
- If you get your pistol wet
- As soon as possible after shooting
- At least once a year in a temperate climate
- As often as once a month in a tropical climate, or other demanding environment

Cleaning the Barrel Bore and the Cartridge Chamber

If the pistol has not been fired or if only a few cartridges have been fired, clean the barrel bore and cartridge chamber by the clean patch attached to the cleaning rod. Repeat the cleaning, changing patches, until the last patch comes out clean.

When the barrel bore is very dirty, apply a gun cleaning solution using a cleaning brush. Let the solvent act for about 10 minutes (this time may vary depending on the solvent agent being used). Then thoroughly scrub out the barrel bore. Subsequently, dry the barrel bore and cartridge chamber with a clean patch and check that all powder residues or fouling have been removed. If necessary repeat this procedure.

The cleaning rod and the brush must be inserted into the barrel bore from the chamber, to prevent wear or damage to the muzzle. Pass the brush all the way through the barrel bore before reversing the movement. If you try to change directions with the brush in the barrel, the brush could stick.

Cleaning of Other Pistol Parts

Other parts of the pistol (including the external surfaces of the barrel) should be cleaned with a dry cloth, old toothbrush, brass bristle brush or a wooden scraper. Preserving oil or paraffin oil can be used for proper cleaning. Never use the agent designed for barrel bore cleaning! These solutions could remain in the joints, and after some time could cause corrosion.

Check that cloth particles or brush bristles have not become lodged in any part of the pistol.

Preserving

When the barrel bore, cartridge chamber, and all accessible parts are clean and dry, wipe these parts with a cloth soaked in gun oil or apply the oil in a spray. Remove all excess oil.

Before shooting always wipe the barrel bore dry. At very low temperatures remove the oil from all accessible parts or apply a lubricant prepared especially for these conditions.

Use thick preserving agents for example, preserving grease only for a long-term storage in demanding climate environments, and before any use of the pistol it must be thoroughly removed from all parts of the firearm.

Waste Management

When used properly, the materials used in the product and packaging have no adverse effects on human health or the environment. When disposing of the product or its packaging, metal parts (steel and non-ferrous metals), plastics, wood, paper and cardboard should be stored separately in collecting containers intended specifically for that purpose.

LIST OF PARTS

- | | |
|-------------------------------|--|
| 1 Slide * | 19 Recoil spring * |
| 2 Barrel * | 20 Extractor spring |
| 3 Firing pin (assembly) | 21 Slide stop spring |
| a) Firing pin | 22 Trigger bar spring (2x) |
| b) Spring holder (2x) | 23 Magazine catch spring * |
| c) Firing pin case | 24 Trigger bar disconnecter spring |
| d) Automatic safety | 25 Disassembly plate spring |
| e) Main spring | 26 Trigger safety spring |
| f) Automatic safety spring | 27 Magazine catch pin * |
| g) Automatic safety pin | 28 Trigger bar pin |
| 4 Insert - front | 29 Trigger bar spring pin |
| 5 Insert - rear | 30 Extractor pin |
| 6 Slide stop | 31 Insert - rear coiled pin (2x) |
| 7 Trigger bar | 32 Insert - front coiled pin |
| 8 Magazine catch * | 33 Interchangeable back strap pin |
| 9 Magazine catch plug * | 34 Trigger safety pin |
| 10 Trigger bar disconnecter * | 35 Front insert pin |
| 11 Disassembly plate | 36 Front sight screw * |
| 12 Extractor | 37 Rear sight screw * |
| 13 Frame | 38 Set of sights * |
| 14 a) Back strap "S" | 39 Magazine * |
| b) Back strap "M" | 40 Cover * |
| c) Back strap "L" | 41 Cover screw (2x) * |
| 15 Trigger | 42 Collimator sight plate * |
| 16 Trigger safety | 43 Collimator sight plate screw (2x) * |
| 17 Slide cover | |
| 18 Disassembly plate retainer | |

The parts marked * differ according to versions, or as case may be in some versions are entirely missing.

TROUBLESHOOTING, CAUSES AND REMEDIES

If your pistol is properly used and maintained, malfunctions will rarely occur. However, if such a situation does occur, please observe the following instructions.

CAUTION - If a malfunction occurs, the possibility of unintentional discharge is substantially increased. For this reason, carefully observe the *Safety Instructions* already mentioned above. Keep the pistol pointed in a safe direction, do not turn the pistol against your body or anyone else's! Do not place your hands in front of the barrel!

If you use your pistol for self-defense, or in law enforcement, please acquire so-called "dummy cartridges" and practice fast clearing of malfunctions as described below.

Malfunction	Possible Cause	Remedy
A cartridge has not been fed into the chamber or the slide has not fully locked with the barrel	Magazine is not fully inserted or is damaged. The pistol or cartridges are fouled (dirty) or too heavily greased.	Insert magazine properly or change magazine. Clean the pistol and cartridges and wipe them dry or as case may be slightly lubricate.
Misfire	Defective cartridge. Firing pin hole fouled (dirty) or improper lubrication agent used under low temperature conditions.	If a discharge is not initiated, follow the Safety Instructions according to point 18. Disassemble and clean the firing pin or use a low temperature lubricant.
A shot sounds "weak" combined with failure to eject the cartridge case	The cartridge has been activated but no powder load was inside the cartridge case.	Unload the pistol and check that the bullet is not lodged in the barrel. A subsequent shot could cause damage to the barrel.
The spent case has not been ejected	Cartridge chamber, extractor or ammunition dirty, or unsuitable lubricant in low temperature environment.	Clean and wipe the pistol dry or lubricate lightly with a suitable agent. Use new and clean ammunition.

If you cannot clear away any malfunction in the manner described above or the pistol is damaged due to rough handling or a fall, entrust the pistol to a competent gunsmith for inspection and repair.

The Company, reserves the right to make any changes it thinks necessary to improve its models or to meet any requirements of manufacturing or commercial nature.

LIST OF ILLUSTRATIONS

1. The names of basic parts
2. Removal of the magazine
3. Magazine loading
4. Pistol loading
5. Releasing the slide from "fire readiness" by pressing the slide stop
6. Replacement of the back strap
7. Setting the slide into disassembly position
8. Pushing the disassembly plate
9. Removing the slide

Antes de manipular con la pistola, lea cuidadosamente este manual y observe especialmente las siguientes instrucciones de seguridad.

Un manejo incorrecto y descuidado de la pistola podría producir un disparo no intencionado causando lesiones corporales, muerte o daños a la propiedad. Las mismas consecuencias pueden tener modificaciones no autorizadas, corrosión o uso de una munición no prescrita o averiada. El fabricante no se hará responsable por las consecuencias originadas en estos casos. Antes de abandonar la fábrica, la pistola fue probada, revisada cuidadosamente y empaquetada. CZ no puede controlar la manipulación del producto una vez que el mismo abandone la fábrica. Por esta razón, al comprar esta pistola verifique que la misma esté descargada y sin averías.

Este Manual de Instrucciones deberá siempre acompañar la pistola, incluso cuando el arma fuese prestada o vendida.

CONTENIDO

INSTRUCCIONES DE SEGURIDAD	14
TERMINOLOGÍA Y DESCRIPCIÓN DE LA PISTOLA	18
Elementos de seguridad de la pistola	19
INSTRUCCIONES DE USO	20
Munición	20
Cómo sacar el cargador	20
Cómo llenar el cargador	20
Cómo cargar la pistola	20
Recarga durante el tiro	20
Cómo descargar la pistola	21
Ajuste de miras	21
Cambio de lomos de la empuñadura	21
INSTRUCCIONES DE MANTENIMIENTO	21
Desmontaje del arma para la limpieza	21
Desmontaje del cargador	22
Limpieza de la pistola	22
Limpieza del ánima y la recámara	22
Limpieza de otras partes de la pistola	23
Conservación	23
Tratamiento de los residuos	23
ELIMINACIÓN DE FALLAS FUNCIONALES	25
REPRESENTACIÓN Y LISTA DE COMPONENTES	24
LISTA DE GRÁFICOS	25

INSTRUCCIONES DE SEGURIDAD

Mantenga siempre las instrucciones de seguridad para su seguridad personal y la de los demás.

1. Manipule siempre con su pistola como si fuese cargada.
2. No apunte nunca a ningún objeto, si no tenga la intención de disparar.
3. No confíe a nadie que la pistola esté descargada.
4. Antes de dejar de utilizar la pistola o entregarla a otra persona, verifique siempre que esté descargada.
5. Guarde la pistola descargada.
6. No utilice nunca la pistola con otros fines que para disparar.
7. Nunca deje sin vigilancia una pistola cargada.
8. Antes de cargar el arma, asegúrese que el ánima del cañón, la recámara y la corredera estén limpios y sin obstrucciones. Limpie la pistola después del disparo tan pronto sea posible.
9. No dispare del arma sin conocer la munición que está usando. No utilice una munición sin marcación, recargada manualmente; una munición con casquillo rajado, deformado o abollado, o una bala con signos de avería. La recarga es una actividad especializada y una munición recargada de forma incorrecta (con fallas) puede ser extremadamente peligrosa, con el eventual daño/destrucción grave del arma y lesiones de gravedad o la muerte del tirador y otras personas. Utilice siempre una munición limpia, seca y de fabricación original, de alta calidad y en un buen estado, correspondiente al calibre de su pistola.
10. Nunca tome bebidas alcohólicas o utilice estupefacientes antes o durante el disparo.
11. Utilice protectores de oídos y gafas de tiro protectoras durante el tiro.
12. Mantenga libre la ventanilla de expulsión e impida que alguien se coloque en la dirección de la cartuchera expulsada.
13. No presionar el disparador y no introducir los dedos en el guardamonte del disparador, a no ser, que esté apuntando al blanco y preparado para disparar.
14. Antes de presionar el disparador, vuelva a controlar su objetivo y el espacio posterior del mismo. La bala puede atravesar el objetivo o desviarse fuera del mismo y pasar una distancia de varios cientos de metros.
15. Nunca dispare a una superficie dura, como una piedra, o la del agua por ejemplo.
16. No dispare nunca cerca de un animal que no esté entrenado para este tipo de ruido.
17. Al manipular con la pistola, evite todo tipo de "bromas".
18. Falla del disparo: En el caso de no producirse el disparo, mantenga el arma apuntando hacia el blanco de disparar o hacia un espacio seguro y espere treinta segundos. En el caso de producirse una ignición atrasada, el cartucho disparará en treinta segundos. Si no se produciría el disparo, retire el cartucho del cañón y revíselo. Si la huella del percutor en el cartucho es débil o falta, antes de realizar el siguiente disparo deje revisar la pistola por un armero calificado.

19. Asegúrese siempre que la pistola no este cargada cuando vaya a limpiarla, almacenarla o transportarla. La munición no disparada retire del arma y guarde con seguridad en conformidad con los reglamentos legislativos.
20. Guarde siempre la munición y la pistola en depósitos seguros y bajo llave, fuera del alcance y la vista de los niños o gente no autorizada. Proteja la munición siempre del contacto con fuentes de calor y el fuego abierto.
21. Nunca altere ninguna parte de la pistola, podría comprometer de una manera grave el correcto funcionamiento de la pistola o su seguridad.
22. Tenga en cuenta que la corrosión, el uso de munición dañada, el roce del arma con superficies duras u otros rudos movimientos podrían causar daños a la pistola, que no necesariamente se puedan percibir a simple vista. Si algo como esto ocurriera, entregue el arma a un especialista para ser examinada y probada.

REGLAMENTOS DE SEGURIDAD PARA EL USO DE MIRAS DE TRITIUM



Las miras de tritium para pistolas CZ forman un juego con un guión luminoso (emisor de tritium de una actividad de 0,565 GBq) y miras luminosas posteriores - el alza (2 emisores de tritium de una actividad de 0,55444 GBq), que se ensambla en el arma utilizando colas de milano precisas. El tritium en su forma gaseosa (99% HT y 1% HTO) se encuentra cerrado en ampollas de plástico con luminofor, las mismas que se fijan con un pegante en la funda de metal de las miras de tal manera, que el uso y el almacenamiento de las miras no representen ningunos riesgos. Las miras están marcadas con la marca H3 (tritium radioactivo).

En la tercera generación de miras se mantienen todos los elementos ventajosos de la generación de miras anterior y se añaden algunas mejoras:

- Amortiguador de golpes incorporado
- Manguito de protección sólido que asegura una menor sensibilidad de las miras en caso de una manipulación tosca
- Ventanilla fija para una mejor salida de luz y mejor protección contra daños
- Resistencia a la sumersión prolongada en disolventes y medios de limpieza de uso corriente
- Luminosidad garantizada utilizable e ininterrumpida durante el tiempo de 12 años
- Molde de empaque protege las miras contra averías accidentales, impide la manipulación inadecuada con la fuente de luz, impide la penetración de suciedad al sistema visual y el encubrimiento de la luz
- Asegura un paso más suave entre el apuntamiento durante el día y en la noche
- Un montaje sencillo (no requiere de ningunas modificaciones en el arma)
- No aumenta el peso ni el volumen
- Sin mantenimiento
- No necesita batería (no hay pérdidas de energía durante el clima frío)

Instrucciones de seguridad en caso de un daño de las miras

Bajo condiciones regulares de almacenamiento, uso y mantenimiento de las miras la radiación ionizante emitida no representa ningún riesgo para el usuario, ya que no se filtra a través de las fundas de metal en las cuales se encuentran fijadas las ampollas con los emisores. En caso de producirse un daño casual casi irreal de todas las ampollas en un juego de miras en el momento cuando el arma se encuentre en la posición de disparo (la posición, cuando las miras se encuentran más cerca del tirador), la dosis única efectiva no sobrepasaría el valor de 0,26 mSv. ¿Qué representa este valor? Por ejemplo, es igual a:

- 1/12 de la dosis que un habitante corriente obtiene durante el año del fondo de radiación natural (3,5 mSv / año)
- es menos que 1/4 del límite general de la dosis efectiva para un habitante corriente

Primeros auxilios recomendados en caso de una inhalación del tritium en forma gaseosa

La forma gaseosa del tritium es prácticamente inerte y causa una moderada contaminación interior. En caso de una inhalación se recomienda aumentar la cantidad de líquidos y también, eventualmente administrar diuréticos (cerveza con bajo contenido de alcohol) para acelerar la vuelta del agua en el cuerpo.

OBLIGACIONES DEL PROPIETARIO DE MIRAS DE TRITIUM

1. De acuerdo a la legislación de la República Checa las miras son un emisor radioactivo durante el plazo de 6,5 años desde su adquisición.
2. Al adquirir las miras el propietario del equipo obtendrá un manual con instrucciones de uso seguro y un certificado sobre la hermeticidad de los emisores de radionúclido en el juego (el certificado del emisor de radionúclido cerrado), que debe guardar y presentarlo a las autoridades competentes en caso de ser requerido.
3. Durante la manipulación con el producto de tipo autorizado que es una fuente de radiación ionizante hay que respetar los reglamentos nacionales sobre la protección de la radiación ionizante (la legislación nacional correspondiente).
4. En caso de ser propietario de más de 9 juegos de miras (una actividad total que sobrepasa los 10 GBq), el propietario está obligado a pedir a las autoridades competentes la información sobre las obligaciones resultantes de la legislación nacional correspondiente.
5. Evitar tal manipulación que podría causar un grave daño mecánico de las miras.
6. No está permitido realizar tales modificaciones en las miras que podrían alterar propiedades importantes para la protección contra la radiación.
7. La miras no deben seguir utilizándose al ser destruidas o dañadas. El propietario debe recoger con seguridad los equipos así alterados y entregarlos al distribuidor o productor para su liquidación segura. El mismo procedimiento es válido en caso de la liquidación de miras que ya no se utilizan.
8. Para la manipulación con las miras valen las reglas generales de protección contra la radiación ionizante. Durante un uso corriente durante la vida útil de las miras no se requieren pruebas de hermeticidad.

El tipo de miras fue aprobado en la República Checa mediante la decisión de la autoridad competente bajo el no. SÚBJ/RCAB/9960/2014.

20.4.2014
 Státní úřad pro jadernou bezpečnost
 Regionální centrum Praha
 Bartoškova 28
 140 00 Praha 4

TERMINOLOGÍA Y DESCRIPCIÓN DE LA PISTOLA

La denominación de las partes principales de la pistola utilizada en este Manual está indicada en el gráfico No. 1 en la parte interior de la tapa del libro. La denominación de todos los componentes de la pistola está indicada en el capítulo *Lista de componentes*.

La pistola CZ P-10 es un arma de fuego de mano con un retroceso corto del cañón, destinada para un disparo dirigido a la distancia de 50 metros. Tiene el sistema de corredera cerrado. Está provista con un mecanismo de disparo de simple acción con el pretensado, el percutor lanzado está bloqueado mediante un seguro interno (automático). El armazón de la pistola es de Polímero. Entre las características de la pistola destacan:

- buen agarre en ambas manos
- buenos resultados durante el tiro instintivo (sin apuntar)
- baja resistencia del disparador
- alta precisión del tiro
- larga vida útil
- alta confiabilidad también utilizando varios tipos de balas
- miras adaptadas también para apuntar con baja visibilidad
- después de disparar el último cartucho la cerradura queda abierta
- apropiada para el porte diario como un arma de servicio
- la pistola está equipada de manera estándar con un retén del cargador ambidiestro/giratorio al igual que el de la corredera
- de sujeción, para sujetar accesorios especiales
- opción de aumentar la capacidad del cargador mediante un reemplazo fácil del fondo del cargador

Las pistolas CZ P-10 Optics Ready están ajustadas en la fábrica para permitir un montaje fácil y altamente estable de modernos visores holográficos compactos de un amplio abanico de marcas probadas (por ejemplo, Trijicon, Vortex, Meopta, Leupold). Las principales ventajas de CZ Optics Ready son las siguientes:

- Extraordinaria robustez, solidez y resistencia de los montajes
- Baja altura de la construcción
- Fácil ajuste del visor aun a mayores distancias
- Posibilidad de utilizar miras mecánicas más altas co-witness en el caso de cualquier falla de la óptica (en CZ P-10 C Optics Ready en la versión estándar)
- Compatible con un gran número de visores probados (la óptica no forma parte del embalaje)
- Diseño adaptado al concepto de forma de las pistolas originales CZ

Notas explicativas:

SA con pretensado (Single Action)

La función simple del mecanismo de disparo con pretensado. Antes de efectuar el disparo, el mecanismo percutor con aguja percutora lanzada está medio tensado, después de apretar el disparador sigue tensado y luego se libera. Después de cada disparo hay que soltar brevemente el disparador.

Elementos de seguridad de la pistola

Guardamonte

Impide un apretamiento accidental del disparador, por ejemplo durante una caída de la pistola.

Seguro de caída

Minimiza el riesgo de un disparo no intencionado en caso de un manejo inapropiado con el arma, ante todo en caso de una caída de la pistola cargada, cuando existe el riesgo de un disparo por la inercia del percutor.

Seguro del disparador

Impide un movimiento no intencionado del disparador. Antes de desactivar el seguro del disparador no es posible apretar el disparador y ejecutar el disparo.

Bloqueo del percutor

Impide el movimiento del percutor si no está apretado el disparador.

INSTRUCCIONES DE USO**Munición**

Utilice siempre una munición de tipo de fabricación autorizada que cumple las normas establecidas para el productor de munición y es aprobada por la organización CIP (Organización internacional para pruebas de armas de fuego manuales y la munición) o SAAMI (una norma norteamericana para armas y munición). El uso de otro tipo de cartuchos podría causar daños en el arma y heridas al tirador. En caso de usar una munición de fabricación industrial con una velocidad estándar el uso de armas de Česká zbrojovka a.s. es seguro. Compruebe la munición que va a utilizar para tener la seguridad que la misma corresponde al calibre de su arma. La munición de fabricación comercial dispone de una demarcación clara del calibre en el fondo, eventualmente en la proximidad del fondo de casquillo. El fabricante no recomienda a disparar el arma en vacío (sin cartuchos). Para el entrenamiento sin disparar cartuchos de fuego real utilice los que son específicos para ese uso.

Cómo sacar el cargador

La pistola esta provista de un retén del cargador ambidiestro/giratorio. Sujete la pistola con la mano derecha (izquierda), presione con el dedo pulgar (dedo medio) el retén del cargador (dib. 2). El cargador se afloja y sale del armazón.

Cómo llenar el cargador

Sujete el cargador en la mano con la boca hacia arriba. Coloque un cartucho a la parte delantera del aportador y presiónelo hacia abajo y para atrás, hasta que tope el lado posterior del cargador (dib. 3). Coloque el siguiente cartucho sobre el otro e introduzca de la misma manera. En caso, que ya se encuentran varios cartuchos en el cargador, es conveniente presionar un poco con el dedo pulgar la fila de cartuchos.

El número de cartuchos en el cargador se puede comprobar a través de los agujeros de inspección. No intente a extender la capacidad del cargador - ya que esto podría causar un acceso defectuoso del primer cartucho a la recámara.

Cómo cargar la pistola

¡AL CARGAR LA PISTOLA APUNTE SIEMPRE HACIA UN ESPACIO SEGURO!

Introduzca el cargador lleno a la pistola y verifique que permanezca retenido por el retén del cargador.

Sujete la pistola con una mano por la empuñadura y con los dedos pulgar e índice de la otra mano agarre la parte ranurada de la corredera. Tire de la corredera en la dirección hacia atrás hasta el tope y suéltela (dib. 4). Durante este procedimiento se pretensa el mecanismo de disparador y de percusión y el cartucho se introduce en la recámara. Ahora, la pistola está lista para disparar.

Recarga durante el tiro

Después de disparar el último cartucho, la corredera permanecerá en la posición posterior. Saque el cargador vacío e introduzca uno lleno. Con la mano que dispara presione el retén de la corredera en la dirección hacia abajo (dib. 5) o con la otra mano hale la corredera hacia atrás y suéltela. La pistola está nuevamente cargada y lista para disparar.

Cómo descargar la pistola

¡APUNTE HACIA UN ESPACIO SEGURO!

- Retire el cargador
- Tire hacia atrás de la corredera y verifique que la recámara se encuentra vacía
- Suelte la corredera hacia adelante
- Presione el disparador (disparo en seco)

Ajuste de miras

La mira de la pistola fue ajustada en la fábrica para una distancia de 15m (CZ P-10 F para una distancia de 25m) de tal forma, que el punto central del impacto esté en línea aproximadamente con el punto de mira. Es posible realizar la corrección lateral desplazando el alza en la cola de milano y asegurándola con un tornillo. La corrección de la elevación se realiza cambiando el punto de mira por uno más alto o más bajo y luego asegurando con un tornillo.

Cambio de lomos de la empuñadura

Cada pistola viene provista de un set de lomos intercambiables que facilitan la adaptación de tamaño de la parte trasera de la empuñadura según las necesidades individuales del usuario. Para cambiar un lomo por otro hay que extraer el pasador de la parte trasera de la empuñadura (dib. 6).

INSTRUCCIONES DE MANTENIMIENTO

Desmontaje del arma para la limpieza

¡APUNTAR HACIA UN ESPACIO SEGURO!

1. Retire el cargador. ¡No es posible desmontar una pistola con el cargador adentro!
2. ¡ASEGÚRESE QUE NO HAYA NINGÚN CARTUCHO EN LA RECÁMARA!
3. Presione el disparador y compruebe que el mismo permanezca en la posición trasera.
4. Agarre el armazón en la palma de una mano y con los dedos de la misma mano agarre la parte trasera de la corredera. Desplace la corredera con los dedos máx. 5mm hacia atrás (dib. 7)
5. Con los dedos de la otra mano, al mismo tiempo de ambos lados, presione los apoyadedos de la placa de desmontaje en la dirección hacia abajo, hasta el tope (dib. 8).

- Afloje los dedos que sostienen la corredera y quítela del armazón (dib. 9).
- Saque de la corredera el resorte recuperador y por último el cañón.

Nota:

Antes de volver a montar la corredera en el marco es necesario ajustar el disparador en la posición trasera (presionada) para evitar una colisión de la corredera con el tetón en la palanca de disparador.

Este tipo de desmontaje es suficiente para un mantenimiento rutinario. Después de disparar una mayor cantidad de cartuchos desmonte también el percutor y el cargador y entregue la pistola a un armero para limpiar el percutor.

Desmontaje del cargador

Depende del diseño del cargador. Si hay un agujero en el fondo del cargador, presione a través del agujero el trinquete del fondo y desplace el fondo del cargador un poco hacia adelante. Si el cargador posee un trinquete desplazable del fondo en la parte trasera, desplace el trinquete a la posición de desmontaje y, a continuación, desplace el fondo del cargador un poco hacia adelante. Sucesivamente coloque el dedo pulgar encima del fondo para sostener el resorte y con la otra mano saque el fondo de las ranuras guía por completo. Tenga mucho cuidado, que durante este desmontaje no se produzcan heridas por el muelle lanzado.

ATENCIÓN:

No desmonte ningunas otras partes de la pistola. Si está convencido que su pistola necesita algún ajuste o reparación, asegúrese de encomendar esta tarea a un taller especializado!

Limpieza de la pistola

Limpie la pistola

- Después de cada uso
- Siempre después que entre en contacto con humedad
- Lo más antes posible después del disparo
- Por lo menos una vez al año en climas templados
- En condiciones climáticas exigentes por lo menos una vez al mes

Limpieza del ánima y la recámara

En caso que no se haya disparado de la pistola o si solamente se han disparado pocos cartuchos, limpie el ánima y la recámara con un pedazo de tela seca colocado en un extremo de una baqueta. Cambie los trapitos tantas veces, hasta que el último pedazo sea limpio.

Cuando el ánima se encuentre muy sucia, aplique en ella y en la recámara una solución limpiadora, deje actuar aproximadamente 10 minutos (el tiempo de actuación puede variar de acuerdo con el tipo del producto de limpieza) y limpie con un cepillo. Seque el ánima y la recámara con un pedazo de tela limpio y verifique, si se eliminaron todos los residuos. Repita el procedimiento en caso de necesidad.

Introduzca la baqueta y el cepillo en el cañón a través de la recámara para evitar que la boca del cañón se desgaste o dañe. Pase el cepillo por todo el largo del cañón antes de invertir el movimiento. Si trata de cambiar de dirección con el cepillo dentro del cañón, el cepillo podría atascarse.

Limpieza de otras partes de la pistola

Las otras partes del arma (incluyendo las superficies externas del cañón) deben limpiarse con una tela seca, un cepillo de dientes viejo, un cepillo de cerdas de bronce o un raspador de madera. Durante la limpieza se puede utilizar también un aceite de preservación o querosene. Sin embargo, no emplee nunca la solución determinada para la limpieza del ánima del cañón! Estas soluciones podrían permanecer en las hendiduras de los componentes y con el tiempo causar corrosión.

Comprobar que ningún trozo de tela o alguna cerda de cepillo hayan quedado alojados en alguna parte de la pistola.

Conservación

Una vez que el ánima del cañón, la recámara y todas las partes accesibles estén limpias y secas, frótelas con un paño remojado en aceite de preservación o aplique dicho aceite mediante un rociador. Retire luego el exceso de aceite.

Antes de disparar, seque completamente el ánima del cañón. Si utiliza la pistola en temperaturas muy bajas, retire el aceite de todas las partes accesibles y aplique un lubricante especial determinado para estas condiciones climáticas.

La grasa preservante utilice únicamente en el caso de un almacenaje de larga duración en condiciones climáticas extremas. Antes de usar la pistola, retire dicha grasa por completo.

Tratamiento de los residuos

Si son manejados de manera correcta, el material, los envases y los embalajes del producto no tienen ninguna incidencia negativa ni sobre la salud humana ni sobre el medio ambiente. Si necesita deshacerse del producto o su embalaje, los componentes metálicos (acero, metales de color), los plásticos, la madera y el papel-cartón tienen que ser depositados selectivamente en los contenedores destinados para estos materiales.

El productor se reserva el derecho de realizar cambios que podría considerar indispensables para mejorar sus modelos o para satisfacer los requerimientos de la producción o del comercio.

LISTA DE COMPONENTES

- | | |
|---|---|
| 1 Corredera * | 21 Resorte del retén de la corredera |
| 2 Cañón * | 22 Resorte de la palanca de disparador
(2x) |
| 3 Percutor (completo) | 23 Resorte del retén del cargador * |
| a) Percutor | 24 Resorte del interruptor de la palanca
de disparador |
| b) Sujetador del resorte (2x) | 25 Resorte de la placa de desmontaje |
| c) Contenedor del percutor | 26 Resorte del seguro del disparador |
| d) Seguro automático | 27 Pasador del retén del cargador * |
| e) Muelle de percusión | 28 Perno de la palanca de disparador |
| f) Resorte del seguro automático | 29 Pasador del perno de la palanca de
disparador |
| g) Perno del seguro automático | 30 Perno del extractor |
| 4 Bloque delantero | 31 Pasador enrollado del bloque trasero
(2x) |
| 5 Bloque trasero | 32 Pasador enrollado del bloque
delantero |
| 6 Retén de la corredera | 33 Pasador del lomo |
| 7 Palanca de disparador | 34 Perno del seguro del disparador |
| 8 Retén del cargador * | 35 Perno del bloque delantero |
| 9 Perno del retén del cargador * | 36 Tornillo del guión * |
| 10 Interruptor de la palanca de
disparador * | 37 Tornillo del alza * |
| 11 Placa de desmontaje | 38 Kit de miras * |
| 12 Extractor | 39 Cargador * |
| 13 Armazón | 40 Tapa * |
| 14 a) Lomo "S" | 41 Tornillo de la capa (2x) * |
| b) Lomo "M" | 42 Placa del visor * |
| c) Lomo "L" | 43 Tornillo de la placa del visor (2x) * |
| 15 Disparador | |
| 16 Seguro del disparador | |
| 17 Cubierta de la corredera | |
| 18 Cubo de la placa de desmontaje | |
| 19 Muelle recuperador * | |
| 20 Resorte del extractor | |

* Los componentes marcados así varían en cada versión, eventualmente en algunas faltan por completo.

ELIMINACIÓN DE FALLAS FUNCIONALES

Con un uso y mantenimiento correcto hay muy poca probabilidad que se produzca una avería. En caso de producirse tal situación, diríjase con las siguientes instrucciones.

ATENCIÓN - En caso que se produzca una falla durante el disparo, aumenta notablemente la probabilidad de un disparo no intencionado. Por esta razón, durante la eliminación de la falla mantenga al pie de letra las instrucciones de seguridad indicadas más arriba. Apunte siempre hacia un espacio seguro, no dé la vuelta a la pistola enfrente suyo ni frente a otras personas, no coloque las manos delante de la boca del cañón!

Si utiliza la pistola solamente para su protección personal o con fines de servicio, consiga tan llamados cartuchos de escuela y entrene una eliminación rápida de fallas abajo descritas.

Falla	Causa probable	Forma de eliminarla
El cartucho no entra en la recámara o no ajusta la cerradura	El cargador no está encajado suficientemente o se encuentra averiado. El arma o los cartuchos están sucios o excesivamente lubricados.	Introduzca correctamente el cargador o utilice uno nuevo. Limpie el arma y los cartuchos, eventualmente lubrique suavemente.
Fallos al disparar	Cartucho defectuoso. El agujero del percutor se encuentra sucio o se utilizó un lubricante inadecuado bajo temperaturas ambientales bajas.	Si no se produzca el disparo prosiga según el punto 18 de las Instrucciones de seguridad. Desmonte y limpie el percutor, eventualmente utilice un lubricante para temperaturas bajas.
El disparo suena "débil", la cartuchera no fue expulsada	El fulminante se activó, pero no hubo pólvora en la cartuchera.	Descargue el arma y compruebe que la bala no ha quedado atascada en el cañón. Un siguiente disparo eventual podría ocasionar serios daños al cañón!
La vaina no ha sido expulsada	La recámara, el extractor o la munición sucios, eventualmente el uso de un lubricante inadecuado para temperaturas bajas.	Limpie y seque la pistola, eventualmente lubríquela con un lubricante adecuado. Utilice munición nueva y limpia.

Si no es posible reparar la falla según las instrucciones arriba descritas o en caso que el arma esté dañada por un mal trato o una caída, hay que entregarla para una revisión y reparación en un taller especializado.

LISTA DE GRÁFICOS

1. Denominación de los componentes básicos
2. Retiro del cargador
3. Alimentación del cargador
4. Cargando la pistola
5. Soltando la corredera de la "posición de alerta" presionando le retén de la corredera
6. Cambio del lomo de la empuñadura
7. Ajuste de la corredera en la posición de desmontaje
8. Apretamiento de la placa de desmontaje
9. Sacando la corredera

Dříve než začnete zacházet s pistolí, seznámete se s tímto návodem a zvláště s následujícími bezpečnostními pokyny.

Nesprávné a nedbalé zacházení s pistolí může způsobit neúmyslný výstřel, který může mít za následek zranění, smrt nebo škodu na majetku. Stejně následky mohou mít svévolné úpravy, koroze nebo používání nepředepsaných nebo poškozených nábojů. V těchto případech nemůže výrobce nést za vzniklé následky odpovědnost. Předtím, než byla tato pistole dána do prodeje, byla přezkoušena, pečlivě prohlédnuta a zabalena. CZ nemůže kontrolovat zacházení s pistolí potom, co opustí továrnu. Proto si při koupi této pistole ověřte, že je nenabitá a nepoškozená.

Tato příručka s instrukcemi by měla být vždy k pistolí přiložena a to i v případě, že pistolí někomu půjčíte nebo prodáte.

OBSAH

BEZPEČNOSTNÍ POKYNY	28
NÁZVOSLOVÍ A POPIS PISTOLE	32
Bezpečnostní prvky pistole	33
POKYNY PRO POUŽÍVÁNÍ	33
Střelivo	33
Vyjmutí zásobníku	33
Plnění zásobníku	34
Nabíjení pistole	34
Přebíjení během střelby	34
Vybití pistole	34
Nastavení mířidel	34
Výměna hřbetu rukojeti	34
POKYNY PRO ÚDRŽBU	35
Rozborka pro čištění	35
Demontáž zásobníku	35
Čištění pistole	35
Čištění vývrtu a nábojové komory	36
Čištění ostatních částí pistole	36
Konzervace	36
Nakládání s odpady	36
VYOBRAZENÍ A SEZNAM SOUČÁSTEK	37
SEZNAM OBRÁZKŮ	39
ODSTRAŇOVÁNÍ FUNKČNÍCH ZÁVAD	37

BEZPEČNOSTNÍ POKYNY

Dbejte dodržování bezpečnostních pokynů pro bezpečnost vaši a bezpečnost ostatních.

1. Vždy zacházejte se svou pistolí, jako kdyby byla nabitá.
2. Nikdy svou pistolí nemiřte na cokoli, na co nemíníte střílet.
3. Nikomu nevěřte, že zbraň není nabitá.
4. Než pistolí odložíte nebo předáte jiné osobě, vždy se přesvědčte, že není nabitá.
5. Pistolí přechovávejte nenabitou.
6. Nikdy nepoužívejte pistolí k jinému účelu než ke střelbě.
7. Nabitou pistolí nikdy nenechávejte bez dozoru.
8. Před nabitím zbraně se přesvědčte, že vývrt hlavně, komora a závěr jsou čisté a bez překážek. Pistolí znečištěnou od střelby co nejdříve vyčistěte.
9. Nestřílejte ze zbraně, pokud si nejste jisti střelivem, které používáte. Nepoužívejte neoznačené nebo ručně přebíjené střelivo neznámého původu, střelivo s naprasklou, deformovanou nebo promáčknutou nábojnicí nebo střelou vykazující známky poškození. Přebíjení je odborná činnost a nesprávně (chybně) přebíjené střelivo může být extrémně nebezpečné. Výsledkem může být těžké poškození/zničení zbraně a vážná zranění či smrt střelce i dalších osob. Používejte pouze čisté, suché, originální - továrně vyrobené střelivo vysoké kvality, v dobrém stavu, příslušné pro ráži vaší pistole.
10. Před střelbou ani během střelby nepijte alkoholické nápoje a neužívejte drogy.
11. Pokud je to možné, používejte při střelbě chrániče sluchu a ochranné střelecké brýle.
12. Neblokujte výhozná okénka a dbejte na to, aby nikdo nepřekážel ve směru vyhozené nábojnice.
13. Nemačkejte spoušť ani nedávejte prsty do lučičku spouště, pokud nemíříte na cíl a nejste připraveni střílet.
14. Než stisknete spoušť, ještě jednou si zkontrolujte váš cíl a prostor za ním. Střela může letět skrze nebo mimo váš cíl ještě několik stovek metrů.
15. Nikdy nestřílejte na vodní hladinu nebo na tvrdý povrch, jako je kámen.
16. Nestřílejte z pistole poblíž zvířete, pokud není na tento hluk vycvičeno.
17. Pokud držíte pistolí, nikdy se neoddávejte "hrubým žertům".
18. Selhání výstřelu: V případě, že nedojde k výstřelu, držte zbraň namířenou na cíl nebo do bezpečného prostoru a počkejte třicet sekund. Pokud nastal zpožděný zápal, náboj do třiceti sekund vystřelí. Jestliže k výstřelu nedojde, vyjměte náboj z hlavně a prohlédněte jej. Je-li otisk od zápalníku na náboji slabý nebo žádný, nechte před další střelbou zbraň prohlédnout kvalifikovaným zbrojířem.

19. Před čištěním, skladováním nebo dopravou se vždy přesvědčte, že vaše pistole není nabita. Nevystřelené střelivo vyjměte ze zbraně a bezpečně uložte v souladu se zákonnými předpisy.
20. Pistoli a střelivo přechovávejte v odděleném a uzamčeném prostoru mimo dosah a dohled dětí a nepovolaných osob. Vždy chraňte střelivo před zdrojem tepla a otevřeným ohněm.
21. Nikdy neupravujte součástky pistole. Můžete tak závažným způsobem narušit správnou funkci pistole nebo její bezpečnost.
22. Pamatujte, že koroze, použití vadných nábojů, pád pistole na tvrdý povrch nebo jiné "hrubé zacházení" může způsobit poškození, které nemusí být na první pohled patrné. Pokud k něčemu takovému dojde, nechte pistoli prověřit u odborníka.

PRAVIDLA BEZPEČNÉHO ZACHÁZENÍ S TRITIOVÝMI MÍŘIDLY



Tritiová mířidla pro pistole CZ tvoří sada se světelnou muškou (zářič tritium o aktivitě 0,55 GBq) a zadními světelnými mířidly - hledím (2 tritiové zářiče o aktivitě 0,55 GBq), která se montuje na zbraň pomocí přesných rybin. Tritium v plynné formě (99% HT a 1% HTO) je uzavřeno v ampulích z plastu s luminoforem a tyto ampule jsou lepidlem fixovány v kovovém pouzdře mířidla tak, aby používání a skladování mířidel nebylo spojeno s žádnými riziky. Mířidla jsou označena značkou H3 (radioaktivní tritium).

U třetí generace mířidel jsou ponechány veškeré výhodné prvky předchozí generace mířidel a je přidáno několik zlepšení:

- vestavěný tlumič nárazů
- tuhá ochranná objímka zajišťující menší citlivost mířidel na hrubé zacházení
- pevné okénko pro lepší světelný výstup a přidanou ochranou proti poškození
- odolnost při delším ponoru do běžně užívaných rozpouštědel a čistících prostředků
- zaručená nepřerušovaná využitelná světelnost po dobu 12-ti let
- těsnící forma chrání mířidla před náhodným poškozením, znemožňuje nežádoucí manipulaci se světelným zdrojem, zabraňuje vniknutí špíny do zorného systému a zakrytí světla
- zajišťuje jemnější přechod mezi mířením ve dne a v noci
- jednoduchá montáž (nevyžaduje žádné úpravy zbraně)
- nepřidává na hmotnosti ani objemu
- bez údržby
- nepotřebuje baterii (žádné ztráty energie v chladném počasí)

Bezpečnostní pokyny pro případ poškození mířidel

Při běžných podmínkách skladování, používání a údržby mířidel nepředstavuje emitované ionizující záření pro uživatele žádné riziko, neboť nepronikne kovovými pouzdry, ve kterých jsou ampule se zářiči fixovány. V případě téměř nereálného náhodného poškození všech ampulí v jedné sadě mířidel v okamžiku, kdy je zbraň ve střelecké poloze (poloha s mířidly blíže ke střelci), by jednorázová efektivní dávka nepřekročila hodnotu 0,26 mSv. Co tato hodnota představuje? Je to například:

- 1/12 dávky, kterou běžný obyvatel obdrží v průběhu roku od přírodního radioaktivního pozadí (3,5 mSv / rok)
- je to méně než 1/4 obecného limitu efektivní dávky pro běžného obyvatele

Doporučená první pomoc při vdechnutí plynného tritia

Forma plynného tritia je prakticky inertní a způsobuje mírnou vnitřní kontaminaci. Doporučuje se v případě jeho inhalace zvýšený přívod tekutin a i případné podání diuretik (pivo s nízkým obsahem alkoholu) k urychlení obratu vody v těle.

POVINNOSTI MAJITELE TRITIOVÝCH MÍRIDEL

1. Mířidla jsou po dobu 6,5 let od nákupu ve smyslu vyhlášky č. 307/2002 Sb., o radiační ochraně, radioaktivním zářičem.
2. Při nákupu obdrží majitel zařízení návod s pravidly pro bezpečné zacházení a doklad o těsnosti radionuklidových zářičů v sadě (osvědčení uzavřeného radionuklidového zářiče), které musí uschovat a na požádání předložit kompetentnímu úřadu.
3. Pro zacházení s typově schváleným výrobkem, který je zdrojem ionizujícího záření platí vyhláška č. 307/2002 Sb., o radiační ochraně.
4. V případě vlastnictví více jak 9 sad mířidel (úhrnná aktivita přesahující 10 GBq - drobný zdroj), má majitel dle ustanovení § 21 zákona č. 18/1977 Sb., ve znění pozdějších předpisů, ohlašovací povinnost v rozsahu uloženém mu § 22 téhož zákona.
5. Vyvarovat se takového zacházení, při kterém by mohlo dojít k hrubému mechanickému poškození mířidel.
6. Na mířidlech se nesmějí provádět změny, týkající se vlastností důležitých pro ochranu proti záření.
7. V případě zničení nebo poškození se nesmějí mířidla dále používat. Majitel musí takto změněná zařízení bezpečně zajistit a odevzdat distributorovi nebo výrobci k bezpečné likvidaci. Stejný postup platí i při likvidaci již nepoužívaných mířidel.
8. Pro manipulaci s mířidly platí obecné zásady ochrany před ionizujícím zářením. Při běžném používání se po dobu životnosti mířidel nevyžadují zkoušky těsnosti.

Mířidla byla v České republice typově schválena rozhodnutím SÚJB č.j. SÚJB/RCAB/9960/2014.

20.4.2015
Státní úřad pro jadernou bezpečnost
Regionální centrum Praha
Bartošková 28
140 00 Praha 4

NÁZVOSLOVÍ A POPIS PISTOLE

Názvy základních částí pistole používané v tomto návodu jsou uvedeny na obrázku 1 na vnitřní straně obálky. Názvy všech součástek pistole jsou uvedeny v kapitole *Seznam součástek*.

Pistole CZ P-10 je samonabíjecí ruční palná zbraň s krátkým zákluzem hlavně, určená pro mířenou střelbu do dálky 50 metrů. Má uzamčený závěrový systém. Je vybavena jednočinným spoušťovým mechanismem s předeputím, přímoběžný zápalník je blokován vnitřní (automatickou) pojistkou. Rám pistole je plastový. Mezi charakteristické vlastnosti pistole patří:

- dobré držení v každé ruce
- dobré výsledky při pudové střelbě (bez míření)
- nízký odpor spouště
- vysoká přesnost střelby
- vysoká životnost
- vysoká spolehlivost i při použití různých typů střel
- mířidla jsou uzpůsobena i pro míření za snížené viditelnosti
- po vystřelení posledního náboje zůstane závěr otevřený
- vhodnost pro každodenní nošení jako služební zbraň
- pistole je standardně vybavena oboustrannou/otočitelnou zádržkou zásobníku a oboustranným záchytem závěru
- rám je v přední části opatřen upínacími drážkami pro připevnění zvláštního příslušenství
- možnost zvýšení kapacity zásobníku pomocí snadné výměny dna zásobníku

Pistole CZ P-10 Optics Ready jsou továrně upravené zbraně pro snadnou a vysoce stabilní montáž moderních kompaktních kolimátorů široké palety osvědčených značek (např. Trijicon, Vortex, Meopta, Leupold). K hlavním výhodám pistolí CZ Optics Ready patří:

- mimořádná robustnost, pevnost a odolnost montáží
- nízká stavební výška
- snadné nastřelení kolimátoru i na větší vzdálenosti
- možnost použití zvýšených co-witness mechanických mířidel v případě jakéhokoliv selhání optiky (u CZ P-10 C Optics Ready ve standardním provedení)
- kompatibilita s velkým počtem osvědčených kolimátorů (optika není součástí balení)
- design sladěný s tvarovým řešením výchozích pistolí CZ

Vysvětlivky:

SA s předepnutím (Single Action)

Jednočinná funkce spoušťového mechanismu s předepnutím. Před výstřelem je bicí mechanismus s přímoběžným úderníkem částečně napnut, při stisku spouště se dále napíná a pak je uvolněn. Po každém výstřelu je potřeba krátce uvolnit spoušť.

Bezpečnostní prvky pistole

Lučik

Zabraňuje nezamýšlenému stisknutí spouště, například při pádu pistole.

Pádová pojistka

Minimalizuje riziko nechtěného výstřelu při nevhodném zacházení se zbraní, zejména při pádu nabitě pistole, kdy hrozí riziko výstřelu vlivem setrvačnosti zápalníku.

Pojistka spouště

Zamezuje neúmyslnému pohybu spouště. Dokud není deaktivována pojistka spouště, nelze stisknout spoušť a provést výstřel.

Blokování zápalníku

Zabraňuje pohybu zápalníku, pokud není spoušť stisknuta.

POKYNY PRO POUŽÍVÁNÍ

Střelivo

Vždy používejte střelivo dovoleného výrobního provedení, které splňuje normy stanovené pro výrobce střeliva a je schváleno organizací CIP (Mezinárodní organizace pro zkoušení ručních palných zbraní a střeliva), případně SAAMI (americká norma pro zbraně a střelivo). Použití jiných nábojů může způsobit poškození zbraně nebo zranění střelce. Při použití továrního střeliva se standardní rychlostí je používání zbraní České zbrojovky a.s. bezpečné. Zkontrolujte střelivo, které hodláte použít, abyste měli jistotu, že odpovídá ráži vaší zbraně. Komerčně vyráběné střelivo má u každého náboje označení ráže jasně vyznačeno na dně, případně okolo dna nábojnice. Výrobce nedoporučuje ze zbraně střelít naprázdno (bez nábojů) neboť může docházet k nežádoucímu opotřebení zbraně. Pro tzv. „suchý trénink“ je vhodné používat atrapy náboje, které jsou k tomuto používání uzpůsobeny.

Vyjmutí zásobníku

Pistole je opatřena oboustrannou/otočitelnou zádržkou zásobníku. Uchopte pistolí do pravé (levé) ruky, palcem (prostředníkem) stiskněte zádržku zásobníku (obr. 2). Zásobník se uvolní a vypadne z rámu.

Plnění zásobníku

Zásobník uchopte do ruky ústím nahoru. Položte náboj na přední část podavače a stlačte jej dolů a dozadu, až se dotkne zadní stěny zásobníku (obr. 3). Další náboj umístěte na předcházející a zasuněte stejným způsobem. Je-li v zásobníku již větší počet nábojů, je vhodné palcem ruky, která drží zásobník, poněkud stlačit sloupec nábojů.

Počet nábojů v zásobníku můžete sledovat kontrolními otvory. Nepokoušejte se překročit kapacitu zásobníku - mohlo by to způsobit vadné podání prvního náboje do komory.

Nabíjení pistole

PŘI NABÍJENÍ MĚJTE PISTOLI VŽDY ZAMÍŘENU DO BEZPEČNÉHO PROSTORU!

Vsuňte plný zásobník do pistole a přesvědčte se, že je zachycen zádržkou zásobníku.

Uchopte pistoli jednou rukou za rukojeť a palcem a ukazováčkem druhé ruky uchopte drážkovanou část závěru. Závěr natáhněte směrem dozadu až na doraz a vypusťte (obr. 4). Přitom se předepne spoušťový a bicí mechanismus a do komory se zasune náboj. Nyní je pistole připravena ke střelbě.

Přebíjení během střelby

Po vystřelení posledního náboje zůstane závěr v zadní poloze. Vyjměte prázdný zásobník a vsuňte naplněný. Střílejte rukou stiskněte záchyty závěru směrem dolů (obr. 5), nebo druhou rukou natáhněte závěr dozadu a vypusťte jej. Pistole je opět nabita a připravena ke střelbě.

Vybíjení pistole

ZAMIŘTE DO BEZPEČNÉHO PROSTORU!

- vyjměte zásobník
- natáhněte závěr a přesvědčte se, že nábojová komora je prázdná
- vypusťte závěr dopředu
- stiskněte spoušť (rána jistoty)

Nastavení mířidel

Pistole byla ve výrobním podniku nastřelena na vzdálenost 15 m (CZ P-10 F na 25 m) tak, že střední bod zásahu se přibližně shoduje se záměrným bodem. Stranovou korekci je možné provést posunutím hledí v rybinovité drážce a jeho zajištěním šroubkem. Výšková korekce se provádí výměnou mušky za vyšší nebo nižší a následným zajištěním šroubkem.

Výměna hřbetu rukojeti

Ke každé pistoli se dodává sada výměnných hřbetů, které umožňují přizpůsobení zadního tvaru rukojeti dle potřeby konkrétního uživatele. Výměna typu hřbetu za jiný se provádí po vyjmutí kolíku hřbetu (obr. 6).

POKYNY PRO ÚDRŽBU**Rozborka pro čištění**

ZAMIŘTE DO BEZPEČNÉHO PROSTORU!

1. Vyměte zásobník. Pistole se zasunutým zásobníkem je nerozebíratelná!
2. PŘESVĚDČTE SE, ŽE V NÁBOJOVÉ KOMOŘE NENÍ NÁBOJ!
3. Stiskněte spoušť a ujistěte se, že zůstala v zadní poloze.
4. Uchopte rám dlaní jedné ruky a prsty téže ruky shora zadní část závěru. Prsty posuňte závěr o max. 5 mm dozadu (obr. 7).
5. Prsty druhé ruky souběžně z obou stran zatlačte na hmatníky demontážní destičky směrem dolů, až na doraz (obr. 8).
6. Uvolněte prsty držící závěr a sejměte ho z rámu (obr. 6).
7. Ze závěru vyměte vratnou pružinu a nakonec hlaveň.

Poznámka:

Před zpětnou montáží závěru na rám je nutné nastavit spoušť do zadní (stlačené) polohy, aby nedošlo ke kolizi závěru s výstupkem na spoušťové páce.

Potud provedená rozborka pro běžnou údržbu stačí. Po vystřelení velkého počtu nábojů demontujte rovněž zásobník a předejte pistoli zbrojři k vyčištění zápalníku.

Demontáž zásobníku

Liší se v závislosti na konstrukci zásobníku. Má-li zásobník otvor ve dně zásobníku, zatlačte skrz otvor na západku dna a povysuňte dno zásobníku mírně dopředu. Je-li zásobník v zadní části opatřen odsunovací západkou dna, přesuňte ji do demontážní polohy a následně dno zásobníku mírně povysuňte dopředu. Potom dejte nade dno palec, abyste jím přidrželi pružinu a druhou rukou zcela vysuňte dno z vodicích drážek. Při této demontáži buďte velmi opatrní, aby nedošlo ke zranění vymrštěnou pružinou.

UPOZORNĚNÍ: Žádné další díly pistole nedemontujte. Pokud se domníváte, že pistole vyžaduje seřízení nebo opravu, svěťte ji odborné dílně!

Čištění pistole

Čištěte pistoli

- po každém použití
- po každém navlhnutí
- co nejdříve po střelbě
- v mírných klimatických podmínkách nejméně jednou za rok
- v náročných klimatických podmínkách nejméně jednou měsíčně

Čistění vývrtu a nábojové komory

Pokud nebylo z pistole stříleno nebo bylo vystřeleno jen několik nábojů, vytřete vývrt a nábojovou komoru suchým hadříkem navlečeným do vytěraku. Hadříky vyměňujte tak dlouho, až bude poslední kousek čistý.

Pokud je vývrt silně znečištěn, naneste do něj a do komory kartáčkem čistící roztok, nechte asi 10 minut působit (doba působení se může u různých čistících prostředků lišit) a vyčistěte kartáčkem. Vysušte vývrt a komoru čistým hadříkem a zkontrolujte, zda byly všechny spaliny odstraněny. V případě potřeby postup opakujte.

Vytěrák i kartáček zasouvajte do hlavní od komory, abyste nepoškodili ústí hlavní. Kartáček protlačujte celou hlavní, než změňte směr pohybu. Pokud byste změnili směr pohybu s kartáčkem v hlavní, mohl by se kartáček v hlavní vzpříčit.

Čistění ostatních částí pistole

Ostatní části pistole (včetně vnějších ploch hlavní) čistěte suchým hadříkem, starým kartáčkem na zuby, mosazným kartáčkem nebo dřevěnou škrabkou. Při čistění můžete použít i konzervační olej nebo petrolej. Nikdy však nepoužívejte roztok určený pro čistění vývrtu! Ten by mohl zůstat ve spárách mezi součástkami a po delší době způsobit korozi.

Přesvědčte se, že zbytky hadříku nebo štětiny z kartáčku neuvízly v žádné části pistole.

Konzervace

Vývrt, nábojovou komoru a všechny přístupné součásti po vyčistění do sucha potřete hadříkem zvlhčeným v konzervačním oleji nebo použijte olej ve spreji. Přebytečný olej setřete.

Před střelbou vytřete vývrt do sucha. Používáte-li pistoli při nízkých teplotách, odstraňte olej ze všech přístupných částí nebo použijte speciální mazadlo určené pro tyto podmínky.

Konzervační vazelinu používejte jen pro dlouhodobé skladování v náročných klimatických podmínkách a před použitím pistole ji důkladně odstraňte.

Nakládání s odpady

Materiály výrobku a obalu nemají při správném používání žádné negativní dopady na zdraví člověka ani životní prostředí. V případě nutnosti odstranění výrobku nebo jeho obalu platí, že kovové součásti (ocel a barevné kovy), plasty, dřevo, papír a lepenka se ukládají odděleně do sběrných nádob k tomu určených.

ODSTRAŇOVÁNÍ FUNKČNÍCH ZÁVAD

Při správném používání a údržbě je pravděpodobnost vzniku závad minimální. Pokud tato situace přesto nastane, řiďte se následujícími pokyny.

POZOR - pokud vznikne při střelbě závada funkce, mimořádně se zvyšuje pravděpodobnost nechtěného výstřelu. Proto při odstraňování závady důsledně dodržujte dříve uvedené bezpečnostní pokyny. Miřte neustále do bezpečného prostoru, neotáčejte pistolí proti sobě ani proti jiným osobám, nedávejte ruce před ústí hlavně!

Jestliže svou pistolí používáte pro osobní ochranu nebo pro služební účely, obstarejte si tzv. "školní náboje" a nacvičte si rychlé odstraňování níže popsanych závad.

Závada	Pravděpodobná příčina	Způsob odstranění
Nepodání náboje do komory nebo nedovření závěru	Zásobník není dostatečně zasunut nebo je poškozený. Zbraň nebo náboje jsou znečistěny nebo příliš silně namazány.	Zasuňte řádně zásobník nebo použijte jiný. Vyčistěte zbraň a náboje do sucha, případně lehce namažte.
Selhač	Použitý náboj je vadný. Znečistěný otvor pro zápalník nebo nevhodné mazadlo při nízké okolní teplotě.	Pokud nedojde k výstřelu, postupujte podle bodu 18 bezpečnostních pokynů. Demontujte a vyčistěte zápalník, případně použijte mazadlo pro nízké teploty.
"Slabá rána" spojená s nevyhozením nábojnice	Zápalka byla aktivována, ale v nábojnici nebyl prach.	Vybijte zbraň a přesvědčte se, zda střela neuvízla v hlavní. Případný další výstřel by mohl vážně poškodit hlaveň!
Nevyhození	Znečistěná nábojová komora, vytahovač nebo střelivo, případně použití nevhodného mazadla při nízké teplotě.	Vyčistěte pistolí do sucha, případně lehce namažte vhodným mazadlem. Používejte nové čisté střelivo.

Pokud nelze závadu odstranit žádným z výše uvedených způsobů, respektive zbraň utrpí poškození vlivem hrubého zacházení nebo pádu, svěťte ji k prohlídce a opravě odborné dílně.

Výrobce si ponechává právo provést změny, které považuje za nezbytné pro vylepšení svých modelů, nebo aby vyhověl požadavkům výrobní nebo obchodní povahy.

SEZNAM SOUČÁSTEK

1 Závěr *	18 Kostka demontážní destičky
2 Hlaveň *	19 Pružina vratná *
3 Zápalník (sestava)	20 Pružina vytahovače
a) Zápalník	21 Pružina záchyty závěru
b) Držák pružiny (2x)	22 Pružina spoušťové páky (2x)
c) Kontejner zápalníku	23 Pružina zádržky zásobníku *
d) Automatická pojistka	24 Pružina vypínače spoušťové páky
e) Pružina bicí	25 Pružina demontážní destičky
f) Pružina automatické pojistky	26 Pružina pojistky spouště
g) Čep automatické pojistky	27 Kolík zádržky zásobníku *
4 Přední blok	28 Čep spoušťové páky
5 Zadní blok	29 Kolík pružiny spoušťové páky
6 Záchyty závěru	30 Čep vytahovače *
7 Spoušťová páka	31 Svinutý kolík zadního bloku (2x)
8 Zádržka zásobníku *	32 Svinutý kolík předního bloku
9 Čep zádržky zásobníku *	33 Kolík hřbetu
10 Vypínač spoušťové páky *	34 Čep pojistky spouště
11 Demontážní destička	35 Čep předního bloku
12 Vytahovač	36 Šroub mušky *
13 Rám	37 Šroub hledí *
14 a) Hřbet "S"	38 Set mířidel *
b) Hřbet "M"	39 Zásobník *
c) Hřbet "L"	40 Krytka *
15 Spoušť	41 Šroub krytky (2x) *
16 Pojistka spouště	42 Deska kolimátoru *
17 Krytka závěru	43 Šroub desky kolimátoru (2x) *

* Takto označené součástky jsou u jednotlivých provedení odlišné, případně u některých provedení zcela chybí.

SEZNAM OBRÁZKŮ

1. Názvosloví hlavních dílů
2. Vyjmutí zásobníku
3. Plnění zásobníku
4. Nabíjení pistole
5. Vypuštění závěru ze "střelecké pohotovosti" stlačením záchyty závěru
6. Výměna hřbetu rukojeti
7. Nastavení závěru do demontážní polohy
8. Zatláčení demontážní destičky
9. Sejmutí závěru

Bevor Sie die Pistole benutzen, machen Sie sich bitte mit dieser Anleitung und besonders mit den folgenden Sicherheitsbestimmungen vertraut.

Durch falschen und nachlässigen Umgang mit der Pistole kann es zu einem unbeabsichtigten Schuß kommen, der Personen- oder Sachschaden verursachen kann. Die gleichen Folgen können Korrosion, eigenmächtige Veränderungen an der Waffe oder der Gebrauch von nicht vorschriftsmäßiger bzw. beschädigter Munition haben. In diesen Fällen kann der Hersteller keine Verantwortung für die entstandenen Folgen übernehmen. Die Pistole wurde vom Hersteller sorgfältig getestet, überprüft und verpackt. Nachdem die Pistole das Herstellerwerk verlassen hat, kann CZ den weiteren Umgang mit ihr nicht kontrollieren. Überprüfen Sie deshalb beim Kauf der Waffe, dass die Pistole ungeladen und unbeschädigt ist.

Diese Bedienungsanleitung sollte der Pistole immer beigelegt werden. Dies gilt auch für den Fall des Verleihes oder Verkaufs der Pistole.

INHALT

SICHERHEITSBESTIMMUNGEN	41
ERKLÄRUNG DER FACHAUSDRÜCKE UND BESCHREIBUNG DER PISTOLE	46
Sicherheitselemente	47
GEBRAUCHSANWEISUNGEN	47
Munition	47
Herausnehmen des Magazins	47
Füllen des Magazins	48
Laden der Pistole	48
Nachladen während des Schießens	48
Entladen der Pistole	48
Einstellen der Visiereinrichtungen	48
Austausch des Handgriffrückens	49
PFLEGEANWEISUNGEN	49
Zerlegen zur Reinigung	49
Ausbau des Magazins	49
Reinigung der Pistole	50
Reinigung von Laufbohrung und Patronenkammer	50
Reinigung der anderen PISTOLENTEILE	51
Konservierung	51
Abfallentsorgung	51
ABBILDUNG UND VERZEICHNIS DER BESTANDTEILE	52
BEHEBUNG VON FUNKTIONSTÖRUNGEN	53
VERZEICHNIS DER ABBILDUNGEN	54

SICHERHEITSBESTIMMUNGEN

Bitte beachten Sie die folgenden Sicherheitsbestimmungen zu Ihrer eigenen Sicherheit und zur Sicherheit anderer Personen.

1. Gehen Sie mit Ihrer Pistole immer so um, als ob sie geladen wäre.
2. Zielen Sie mit Ihrer Pistole nie auf ein Objekt, auf das Sie nicht schießen wollen.
3. Vertrauen Sie nicht darauf, wenn Ihnen jemand sagt, daß die Pistole nicht geladen ist.
4. Bevor Sie die Pistole ablegen oder an eine andere Person übergeben, überzeugen Sie sich immer davon, daß sie nicht geladen ist.
5. Tragen bzw. verwahren Sie die Pistole ungeladen.
6. Benutzen Sie die Pistole nie zu einem anderen Zweck als zum Schießen.
7. Lassen Sie die Pistole nie ohne Aufsicht gespannt und geladen.
8. Vor dem Laden der Pistole überzeugen Sie sich stets davon, daß Laufbohrung, Kammer und Verschluss sauber und frei von Hindernissen sind. Reinigen Sie die vom Schießen verschmutzte Pistole möglichst bald nach der Benutzung, damit Funktion und Sicherheit der Waffe gewährleistet bleiben.
9. Nicht mit der Waffe schießen, wenn Sie sich nicht sicher sind, was für Munition Sie benutzen. Keine nicht gekennzeichnete oder wiedergeladene Munition unbekannter Herkunft, Munition mit geplatzter, deformierter oder eingebeulter Hülse oder beschädigte Munition benutzen. Das Wiederladen ist eine spezialisierte Tätigkeit und falsch geladene Munition kann extrem gefährlich sein. Folge können schwere Beschädigung oder die Zerstörung der Waffe und ernste Verletzungen oder Tod des Schützen oder auch weiterer Personen sein. Benutzen Sie nur saubere, trockene, original in der Fabrik gefertigte Munition von hoher Qualität, die für Ihr Pistolenkaliber geeignet ist.
10. Vermeiden Sie vor und während des Schießens den Genuß von Alkohol und nehmen Sie keine Drogen ein.
11. Tragen Sie beim Schießen immer Gehörschutz und Schutzbrille.
12. Blockieren Sie niemals das Auswurffenster und achten Sie darauf, daß niemand in Auswurfrichtung der Patronenhülse steht.
13. Drücken Sie niemals auf den Abzug und legen Sie niemals den Finger in den Abzugsbügel hinein, wenn Sie nicht auf ein Objekt zielen oder noch nicht zum Schießen bereit sind.

14. Bevor Sie den Abzug betätigen, kontrollieren Sie noch einmal Ihr Ziel und den Raum hinter ihm. Das Projektil kann die Zielscheibe durchschlagen oder am Ziel vorbei noch einige hundert Meter weit fliegen.
15. Schießen Sie nie auf harte bzw. flüssige Oberflächen wie Stein oder Wasser.
16. Schießen Sie nicht, wenn sich in der Nähe ein Tier befindet, das nicht an diesen Lärm gewöhnt ist oder nicht darauf dressiert wurde.
17. Albern Sie nicht herum, wenn Sie die Waffe in der Hand halten.
18. Beim Schussversagen: Im Fall eines Schussversagens halten Sie die Waffe weiter auf das Ziel oder in eine sichere Richtung gerichtet und warten Sie 30 Sekunden ab. Wenn es zu einer verzögerten Zündung gekommen ist, schießt die Patrone während 30 Sekunden ab. Falls der Schuss nicht eintritt, nehmen Sie die Patrone aus dem Lauf und kontrollieren Sie sie. Wenn der Abdruck des Zünders an der Patrone schwach oder kein ist, lassen Sie die Waffe von einem Fachmann vor dem weiteren Schiessen überprüfen.
19. Nicht verschossene Munition aus der Waffe nehmen und sicher gemäß gesetzlicher Vorschriften lagern. Stellen Sie sicher, daß die Pistole nicht geladen ist, bevor Sie die Waffe reinigen, lagern oder transportieren.
20. Bewahren Sie Pistole und Munition in separaten und verschlossenen Behältern außerhalb des Sichtbereichs und des Zugriffs von Kindern bzw. unbefugten Personen auf. Munition immer vor Wärmequellen und offenem Feuer schützen.
21. Verändern Sie keine konstruktiven Details der Pistole. Dies könnte die Funktion und die Sicherheit der Waffe ernsthaft beeinträchtigen.
22. Beachten Sie, daß Korrosion, der Gebrauch falscher bzw. beschädigter Munition, das Fallenlassen der Pistole auf eine harte Oberfläche oder anderer unsachgemäßer Umgang Beschädigungen verursachen können, die auf den ersten Blick nicht sichtbar sind. Wenn dies geschehen ist, sollten Sie die Pistole von einem Fachmann überprüfen lassen.

RICHTLINIEN ZUR SICHEREN BEHANDLUNG DER TRITIUMVISIERVORRICHTUNG

Die Tritiumvisier Vorrichtung für Pistolen CZ bildet ein Satz von einem leuchtenden Korn (Tritiumstrahler mit der Aktivität von 0,55 GBq) und einem leuchtenden Visier (2 Tritiumstrahler mit der Aktivität von 0,55 GBq), das an die Waffe mittels des präzisen Schwalbenschwanzes angebracht wird. Das Tritium im gasförmigen Zustand (99% HT und 1% HTO) ist in den Ampullen aus Kunststoff mit dem Lumineszenzelement geschlossen und in diese Ampullen sind durch das Kleber in der metallischen Kapsel der Visier Vorrichtung fixiert, damit die Behandlung und die Lagerung der Visier Vorrichtung irgendwelchen Gefahren nicht ausgesetzt wird. Die Visier Vorrichtung ist mit dem Kennzeichen H3 (radioaktives Tritium) gekennzeichnet.

Die dritte Generation der Visier Vorrichtung behält alle vorteilhaften Merkmale der vorhergehenden Generation der Visier Vorrichtungen und einige Verbesserungen werden zugesetzt:



- eingebauter Stoßdämpfer
- feste Schutzbuchse, die weniger Empfindlichkeit der Visier Vorrichtung gegen grobe Behandlung bereitstellt
- unbewegliches Fenster für besseren Lichtausgang mit zusätzlichem Schutz gegen eine Beschädigung
- Beständigkeit gegen eine längere Versenkung in handelsüblichen Lösungs- und Reinigungsmitteln
- garantierte ununterbrochene nützliche Lichtintensität in der Zeit von 12 Jahren
- die Dichtungsform schützt die Visier Vorrichtung gegen eine unbeabsichtigte Beschädigung, vermeidet die unerwünschte Handhabung mit der Lichtquelle, verhindert den Schmutz in das Sichtsystem einzudringen und das Licht zu decken
- stellt den feineren Übergang zwischen dem Zielen während des Tages und in der Nacht bereit
- einfache Montage (keine Änderungen an der Waffe sind notwendig)
- erhöht das Gewicht noch die Größe nicht
- keine Wartung
- benötigt keine Batterie (keine Verluste der Energie im kalten Wetter)

Sicherheitsanweisungen im Falle der Beschädigung der Visiervorrichtung

Bei den üblichen Bedingungen der Lagerung, des Gebrauches und der Wartung stellt die ionisierende Strahlung keine Gefahr für den Benutzer vor, weil sie die metallische Kapseln, in welchen die Ampullen mit Strahler fixiert sind, nicht eindringt. Im Falle einer fast unregelmäßigen Beschädigung aller Ampullen in einem Satz im Augenblick, wenn die Waffe in der Schiessposition (Position des Visiers näher zum Schützer) ist, würde die einzelne wirkungsvolle Strahlungs-dosis den Wert von 0,26 mSv nicht übersteigen. Was dieser Wert stellt vor? Es ist zum Beispiel:

- 1/12 der Dosis, die ein gewöhnlicher Einwohner im Laufe des Jahres von dem natürlichen radioaktiven Hintergrund bekommt (3,5 mSv / Jahr)
- weniger als 1/4 des allgemeinen Limits der wirkungsvollen Dosis für einen gewöhnlichen Einwohner

Empfohlene Erste Hilfe bei der Inspiration des Tritiumgases

Der Zustand des Tritiumgases ist praktisch inert und verursacht nur eine leichte interne Kontamination. Im Falle seiner Inhalation empfiehlt man die Zuführung der Flüssigkeiten zu erhöhen und eventuell ein Diuretikum (ein Bier mit niedrigem Inhalt von Alkohol) zur Beschleunigung des Körperwasseraustausches zu nehmen.

VERPFLICHTUNGEN DES INHABER DER VISIERVORRICHTUNG MIT TRITIUM

1. Die Visiervorrichtung ist ein radioaktiver Strahler in der Zeit von 6,5 Jahren seit dem Erwerb entsprechend der Gesetzgebung der Tschechischen Republik.
2. Am Erwerb erhält der Inhaber eine Einleitung mit Richtlinien zur sicheren Behandlung und ein Dokument über die Dichtigkeit der Radionuklidstrahler im Satz (Zertifikat des geschlossenen Radionuklidstrahler), diese müssen aufbewahrt und auf Antrag der zuständigen Behörde vorgelegt werden.
3. Für die Behandlung des als Typ genehmigten Produktes, das die Quelle der ionisierenden Strahlung ist, soll man die nationale Vorschriften für Schutz gegen die ionisierende Strahlung respektieren (die zugehörige nationale Gesetzgebung).
4. Für den Fall, dass man besitzt mehr als 9 Sätzen der Visiervorrichtungen (die Gesamtaktivität steigt 10 GBq über), muss der Inhaber über die Verpflichtungen resultierenden aus der zuständigen nationalen Gesetzgebung an der kompetenten Behörde sich informieren.
5. Es ist solche Handhabung, bei der zu einer groben mechanischen Beschädigung kommen könnte, zu vermeiden.
6. Auf der Visiervorrichtung darf man keine Änderungen, betreffend die Eigenschaften wichtigen für den Schutz gegen die Strahlung, durchführen.
7. Falls die Visiervorrichtung zerstört oder beschädigt wurde, darf die Visiervorrichtung weiter nicht verwendet werden. Der Inhaber muss so geänderte Vorrichtung sicherstellen und dem Verteiler oder Hersteller zur sicheren Liquidation abgeben. Das gleiche Verfahren gilt auch für Liquidation der Visiervorrichtung, die man weiter nicht verwendet.
8. Für die Handhabung der Visiervorrichtung gelten allgemeine Grundregeln des Schutzes gegen die ionisierende Strahlung. Bei dem üblichen Gebrauch werden keine Prüfungen der Dichtigkeit während der Lebensdauer der Visiervorrichtung verlangt.

Die Visiervorrichtung wurde in der Tschechischen Republik als Typ durch die Entscheidung der zuständigen Behörde SBKS AZ SÚJB/RCAB/9960/2014 genehmigt.

20.4.2016
Státní úřad pro jadernou bezpečnost
Regionální centrum Praha
Bartoškova 28
140 00 Praha 4

ERKLÄRUNG DER FACHAUSDRÜCKE UND BESCHREIBUNG DER PISTOLE

Die in dieser Anleitung verwendeten Bezeichnungen der grundlegenden Pistolenteile sind in Abbildung 1 auf der Innenseite des Umschlages angeführt. Die Namen aller Bestandteile der Pistole finden Sie im Kapitel *Verzeichnis der Bestandteile*.

Die Pistole CZ P-10 ist eine Selbstlade-Handfeuerwaffe mit kurzem Laufrücklauf, die zum Zielschießen auf die Entfernung von 50 m bestimmt ist. Der Pistolenrahmen ist aus Kunststoff hergestellt. Zu typischen Merkmalen der Pistole gehören:

- ausgewogene Handlage und Balance
- gute Ergebnisse beim instinktmäßigen Schießen (ohne zu zielen)
- niedriger Abzugswiderstand
- hohe Schußgenauigkeit
- hohe Lebensdauer
- hohe Zuverlässigkeit - auch beim Gebrauch unterschiedlicher Geschosarten
- die Visiereinrichtungen sind auch zum Zielen bei eingeschränkter Sicht geeignet
- nach Abfeuern der letzten Patrone bleibt der Verschluss geöffnet
- die Pistole ist zum Alltagseinsatz als Dienstwaffe geeignet
- die Pistole ist standardmäßig mit doppelseitigem/drehbarem Magazinsperrstück und doppelseitigem Verschlussfang ausgestattet
- der Rahmenvorderteil ist mit Spannuten für die Sonderzubehörfestigung ausgestattet
- Möglichkeit der Erhöhung der Magazinkapazität durch einfachen Wechsel des Magazinbodens

Pistolen CZ P-10 Optics Ready sind fabrikmäßig für einfache und hochstabile Montage moderner, kompakter Kollimatoren bewährter Marken (z.B. Trijicon, Vortex, Meopta, Leupold) vorbereitet. Zu den Hauptvorzüge der Pistolen CZ Optics Ready gehören:

- außerordentliche Robustheit, Festigkeit und Beständigkeit der Montage
- niedrige Bauhöhe
- einfaches Einschießen des Kollimators auch auf größere Entfernungen
- Anwendung erhöhter mechanischer Co-Witness-Visiervorrichtungen bei einem Versagen der Optik möglich (bei CZ P-10 C Optics Ready in der Standardausführung)
- Kompatibilität mit vielen bewährten Kollimatoren (Optik nicht im Lieferumfang)
- Design ist der Form der Pistole CZ angepasst

Erklärung der Fachausdrücke:

SA mit Vorspannung (Single Action)

Die einfach wirkende Funktion des Abzugsmechanismus mit Vorspannung Vor dem Schuss wird der Schlagmechanismus mit parallel laufendem Schlagbolzen teilweise gespannt, bei Drücken des Abzugs spannt er sich weiter und wird dann gelöst. Nach jedem Schuss muss der Abzug kurz gelöst werden.

Sicherheits Elemente

Abzugsbügel

Verhindert das unbeabsichtigte Abzugsbetätigen, z.B. beim Fallenlassen der Pistole.

Fallsicherung

Minimalisiert das Risiko eines ungewollten Schusses bei ungeignetem Umgang mit der Waffe, insbesondere beim Fallen der geladenen Pistole, wo durch die Trägheit des Zündstiftes Schussgefahr besteht.

Abzugssicherung

Verhindert ungewollte Bewegung des Abzuga. Solange die Abzugssicherung nicht entsichert ist, kann der Abzug nicht gedrückt werden und kein Schuss abgehen.

Blockierung des Zündstiftes

Sie blockiert eine Bewegung des Zündstiftes, wenn der Abzug nicht gedrückt ist.

GEBRAUCHSANWEISUNGEN

Munition

Immer Munition zulässiger Produktionsausführung, die die Normen für Munitionshersteller erfüllen und von der C.I.P. (Ständige Internationale Kommission für die Prüfung von Handfeuerwaffen), bzw. SAAMI (amerikanische Norm für Waffen und Munition) genehmigt sind. Der Gebrauch von anderen Patronen kann Waffenbeschädigungen oder Verletzungen des Schützen verursachen. Bei der Benutzung von Fabrikmunition mit Standardgeschwindigkeit ist die Benutzung der Waffen der Česká zbrojovka a.s. sicher. Kontrollieren Sie die Munition, die Sie benutzen wollen, damit Sie die Sicherheit haben, dass sie dem Kaliber Ihrer Waffe entspricht. Bei kommerziell produzierter Munition ist auf jeder Patrone das Kaliber klar auf dem Boden oder am Bodenrand gekennzeichnet. Der Hersteller empfiehlt mit dieser Waffe nicht Schießen ohne Patronen in erhöhtem Maße. Für das sog. „Trockentraining“ ist die Benutzung von zu diesem Zweck angepassten Patronenentladern geeignet.

Herausnehmen des Magazins

Die Pistole ist mit beidseitigem/drehbarem Magazinsperrstück ausgestattet. Die Pistole in rechte (linke) Hand nehmen, mit Daumen (Mittelfinger) das Magazinsperrstück (Abb. 2) drücken. Danach löst sich das Magazin und fällt aus dem Rahmen heraus.

Füllen des Magazins

Greifen Sie das Magazin, mit der Magazinmündung nach oben gerichtet, in die Hand. Legen Sie die Patrone auf den Vorderteil des Zubringers und drücken Sie sie hinab und nach unten, bis zu Magazinshinterwand (Abb. 3). Die nächste Patrone legen Sie auf die vorherige und stecken Sie sie auf die gleiche Weise ein. Falls sich schon eine größere Patronenmenge im Magazin befindet, ist zu empfehlen, mit dem Daumen der magazinhaltenden Hand, die Patronensäule etwas herabzudrücken.

Die Patronenanzahl im Magazin können Sie durch die Kontrolllöcher feststellen. Versuchen Sie die Magazinkapazität nicht zu überschreiten, denn dies könnte ein falsches Zuführen der ersten Patrone in die Kammer verursachen.

Laden der Pistole

ZIELEN SIE BEIM LADEN DER PISTOLE IMMER IN EINE SICHERE RICHTUNG!

Stecken Sie das volle Magazin in die Pistole ein und überzeugen Sie sich davon, daß es eingerastet ist.

Greifen Sie die Pistole mit der einen Hand am Pistolengriff und fassen Sie mit Daumen und Zeigefinger der anderen Hand an das geriffelte Verschlusssteil. Ziehen Sie den Verschluss bis zum Anschlag nach hinten und lassen Sie ihn nach vorne schnappen (Abb. 4). Dadurch werden Abzugs- und Schlagmechanismus vorgespannt und eine Patrone in die Kammer eingeschoben. Jetzt ist die Pistole schußbereit.

Nachladen während des Schießens

Nach dem Verschließen der letzten Patrone bleibt der Verschluss hinten. Nehmen Sie das leere Magazin heraus und ersetzen Sie es durch ein volles. Drücken Sie mit der Hand, mit der Sie schießen, den Verschlussfang nach unten (Abb. 5) oder ziehen Sie den Verschluss mit der anderen Hand nach hinten und lassen Sie ihn nach vorne schnappen. Die Pistole ist wieder geladen und schußbereit.

Entladen der Pistole

ZIELEN SIE BEIM ENTLADEN DER PISTOLE IMMER IN EINE SICHERE RICHTUNG!

- nehmen Sie das Magazin heraus
- ziehen Sie den Verschluss nach hinten und überzeugen Sie sich davon, daß die Patrone aus der Kammer gezogen und ausgeworfen wurde
- lassen Sie den Verschluss nach vorne gleiten
- betätigen Sie den Abzug (Sicherheitsschuß)

Einstellen der Visiereinrichtungen

Die Pistole wurde beim Hersteller auf eine Distanz von 15 m (bei CZ P-10 F auf 25 m) so eingeschossen, daß der mittlere Treffpunkt in etwa mit dem Zielpunkt übereinstimmt. Eine Seitenkorrektur ist durch Verschieben des Visiers in der Schwalbenschwanznut und nachfolgende Sicherung mit einer Schraube möglich. Die Höhenkorrektur wird durch Korn austausch gegen ein höheres oder niedrigeres und nachfolgende Sicherung mit Schraube durchgeführt.

Austausch des Handgriffrückens

Zu jeder Pistole wird ein Satz austauschbarer Rücken geliefert, die die Anpassung der Form des hinteren Handgriffes an den Bedarf des konkreten Anwenders ermöglichen. Der Wechsel des Rückens gegen einen anderen wird nach Herausnehmen des Stiftes am Rücken (Abb. 6).

PFLEGEANWEISUNGEN

Zerlegen zur Reinigung

ZIELEN SIE MIT DER PISTOLE IN EINE SICHERE RICHTUNG!

1. Entfernen Sie das Magazin. Die Pistole kann mit eingelegtem Magazin nicht zerlegt werden!
2. ÜBERZEUGEN SIE SICH DAVON, DASS SICH IN DER PATRONENKAMMER KEINE PATRONE BEFINDET!
3. Drücken Sie den Abzug und stellen Sie sicher, dass es in der hinteren Position bleibt.
4. Fassen Sie den Rahmen mit der Handfläche und mit den Fingern der gleichen Hand von oben den Hinterteil des Verschlusses. Mit den Fingern den Verschluss um max. 5 mm nach hinten schieben (Abb. 7).
5. Mit den Fingern der anderen Hand gleichzeitig an beiden Seiten auf die Druckflächen der Demontageplättchen nach unten, bis auf Anschlag drücken (Abb. 8).
6. Den Verschluss aus den Fingern lösen und aus dem Rahmen nehmen (Abb. 9).
7. Aus dem Verschluss die Vorholfeder und zum Schluss den Lauf herausnehmen.

Bemerkung:

Vor erneuter Montage des Verschlusses an den Rahmen muss der Abzug in hintere (gedrückte) Position gebracht werden, damit es zu keiner Kollision des Verschlusses mit dem Vorsprung auf dem Abzugshebel kommt.

Bis hierher genügt die durchgeführte Zerlegung für eine laufende Waffenpflege. Nach dem Verschießen einer großen Patronenmenge demontieren Sie auch Magazin und übergeben Sie die Pistole dem Waffenmeister zur Schlagbolzenreinigung.

Ausbau des Magazins

Es unterscheidet sich in Abhängigkeit von der Magazinausführung. Ist das Magazin mit einer Öffnung im Magazinboden versehen, drücken Sie durch diese Öffnung den Bodenhalter, und dann schieben Sie den Magazinboden leicht nach vorne heraus. Ist das Magazin im hinteren Teil mit dem schiebenden Magazinhalter versehen, stellen Sie diesen in die Demontagestellung ein, und dann schieben Sie den Magazinboden leicht nach vorne heraus. Dann bedecken Sie den Magazinboden mit dem Daumen, um die Magazinfeder zu halten,

und mit der anderen Hand schieben Sie den Magazinboden aus den Führungsschienen heraus. Seien Sie bei dieser Demontage sehr vorsichtig, denn eine herausschnellende Feder kann Verletzungen verursachen.

HINWEIS:

Demontieren Sie keine weiteren Pistolenteile. Wenn Sie glauben, daß die Pistole eine Einstellung oder Reparatur braucht, wenden Sie sich an eine Fachwerkstatt!

Reinigung der Pistole

Reinigen Sie die Pistole:

- nach jedem Gebrauch
- nach jedem Feuchtwerden
- möglichst bald nach dem Schießen
- unter milden klimatischen Bedingungen wenigstens einmal im Jahr
- unter rauen klimatischen Bedingungen wenigstens einmal im Monat

Reinigung von Laufbohrung und Patronenkammer

Wenn aus der Pistole nicht geschossen wurde oder nur wenige Patronen verschossen wurden, genügt für die Reinigung von Laufbohrung und Patronenkammer ein trockenes, am Wischer befestigtes Läppchen. Führen Sie es in den Verschluss ein und drücken Sie Reinigungsstab und Läppchen nach unten durch das Rohr. Wechseln Sie anschließend das Läppchen. Wiederholen Sie die Prozedur so lange, bis das letzte Läppchen sauber herauskommt.

Wenn die Bohrung stark verschmutzt ist, tragen Sie mit dem Bürstchen in sie und in die Kammer Reinigungslösung auf. Lassen Sie die Lösung etwa 10 Minuten einwirken (die Einwirkungszeit kann sich bei verschiedenen Reinigungsmitteln unterscheiden) und putzen Sie dann die Laufbohrung gründlich mit einem Bürstchen aus. Wischen Sie anschließend Bohrung und Kammer mit einem sauberen Lappen trocken und kontrollieren Sie, ob alle Verbrennungsrückstände beseitigt worden sind. Falls notwendig, wiederholen Sie den Vorgang.

Reinigungsstab und Bürstchen müssen von der Kammer aus in den Lauf eingeführt werden, damit die Laufmündung nicht abgenutzt oder beschädigt wird. Ziehen Sie das Bürstchen durch den ganzen Lauf durch, bevor Sie die Bewegungsrichtung ändern. Falls Sie die Bewegungsrichtung des Bürstchens ändern, solange es sich noch im Lauf befindet, kann sich das Bürstchen möglicherweise im Lauf verspreizen.

Reinigung der anderen Pistolenteile

Die anderen Pistolenteile (einschließlich der Außenflächen des Laufes) reinigen Sie mit einem trockenen Lappen, einem Messingbürstchen, oder einer alten Zahnbürste. Bei der Reinigung können Sie auch Konservierungsöl oder Petroleum benutzen. Benutzen Sie aber niemals die für die Laufreinigung bestimmte Lösung! Sie könnte in den Fugen zurückbleiben und auf längere Sicht Korrosion verursachen.

Überzeugen Sie sich davon, daß keine Reste vom Lappchen oder Borsten des Bürstchens in einem Pistolenteil zurückgeblieben sind.

Konservierung

Wenn Laufbohrung, Patronenlager und alle zugänglichen Bestandteile sauber und trocken sind, wischen Sie diese Teile mit einem in Konservierungsöl getränkten Lappen aus oder benutzen Sie ein Ölspray. Wischen Sie das Restöl ab.

Wischen Sie die Bohrung vor dem Schießen immer trocken aus. Wenn Sie die Pistole bei sehr niedrigen Temperaturen benutzen, beseitigen Sie das Öl aus allen zugänglichen Teilen oder verwenden Sie speziell für diese Bedingungen bestimmte Schmiermittel.

Benutzen Sie das Konservierungsfett nur für die langfristige Lagerung unter schlechten klimatischen Bedingungen. Vor Gebrauch der Pistole muß es gründlich beseitigt werden.

Abfallentsorgung

Produkt- und Verpackungsmaterialien haben bei richtiger Benutzung keine negativen Auswirkungen auf die Gesundheit des Menschen oder auf die Umwelt. Im Bedarfsfall der Entsorgung des Produkts oder seiner Verpackung gilt, dass Metallbestandteile (Stahl und Buntmetalle), Kunststoffe, Holz, Papier und Karton getrennt in den dafür bestimmten Sammelbehälter zu sammeln sind.

Der Hersteller behält sich das Recht vor, Änderungen vorzunehmen, die er für unerlässlich zur Verbesserung seiner Modelle hält, oder um fertigungstechnischen oder geschäftlichen Anforderungen nachzukommen.

VERZEICHNIS DER BESTANDTEILE

- | | |
|--|---|
| 1 Verschluss * | 17 Verschlussabdeckung |
| 2 Lauf * | 18 Würfel des Demontageplättchens |
| 3 Zündstift (Baugruppe) | 19 Vorhofeder * |
| a) Zündstift | 20 Auszieherfeder |
| b) Federhalter (2x) | 21 Verschlussfangfeder |
| c) Schlagbolzencontainer | 22 Abzugshebelfeder (2x) |
| d) Automatische Sicherung | 23 Magazinsperrstückfeder * |
| e) Schlagbolzenfeder | 24 Feder des Abzugshebelschalters |
| f) Feder der automatischen
Sicherung | 25 Feder des Demontageplättchens |
| g) Bolzen der automatischen
Sicherung | 26 Feder der Abzugssicherung |
| 4 Vorderblock | 27 Magazinsperrstückstift * |
| 5 Hinterblock | 28 Abzugshebelbolzen |
| 6 Verschlussfang | 29 Stift der Abzugshebelfeder |
| 7 Abzugshebel | 30 Auszieherbolzen |
| 8 Magazinsperrstück * | 31 Gewickelter Stift des Hinterblock (2x) |
| 9 Bolzen des Magazinsperrstücks * | 32 Gewickelter Stift des Vorderblocks |
| 10 Abzugshebelschalter * | 33 Stift des Rückens |
| 11 Blockierungshebel | 34 Bolzen der Abzugssicherung |
| 12 Auszieher | 35 Bolzen des Vorderblocks |
| 13 Rahmen | 36 Kornschraube * |
| 14 a) Rücken "S" | 37 Visierschraube * |
| b) Rücken "M" | 38 Visierset * |
| c) Rücken "L" | 39 Magazin * |
| 15 Abzug | 40 Abdeckung * |
| 16 Abzugssicherung | 41 Schraube der Abdeckung (2x) * |
| | 42 Kollimatorplatte * |
| | 43 Schraube der Kollimatorplatte (2x) * |

* Die so gekennzeichneten Bestandteile sind bei den einzelnen Ausführungen verschieden beziehungsweise fehlen sie bei einigen Ausführungen ganz.

BEHEBUNG VON FUNKTIONSSTÖRUNGEN

Bei einer richtigen Handhabung und Instandhaltung ist die Wahrscheinlichkeit einer Störung minimal. Sollte trotzdem diese Situation eintreten, so richten Sie sich nach folgenden Anweisungen.

ACHTUNG - falls es beim Schießen zu einer Funktionsstörung kommt, so erhöht sich die Wahrscheinlichkeit eines unbeabsichtigten Schusses außerordentlich. Halten Sie daher beim Beheben der Störung konsequent die weiter oben angeführten Sicherheitsbestimmungen ein. Zielen Sie ständig in eine sichere Richtung, wenden Sie die Pistole nie gegen sich oder gegen andere Personen, kommen Sie mit den Händen nicht vor die Laufmündung!

Wenn Sie Ihre Pistole für den persönlichen Schutz oder für Dienstzwecke verwenden, so beschaffen Sie sich "Schulungspatronen" und üben Sie das schnelle Beheben der unten angeführten Störungen.

Störung	Wahrscheinliche Ursache	Behebung
Die Patrone wird nicht in die Kammer zugeführt oder der Verschluss schließt nicht	Das Magazin ist nicht vollständig eingeschoben oder beschädigt. Die Waffe oder die Patronen sind verunreinigt oder zu stark gefettet.	Schieben Sie das Magazin ordnungsgemäß ein oder verwenden Sie ein anderes. Reinigen Sie die Waffe und die Patronen, bis sie trocken sind, fetten Sie sie gegebenenfalls leicht ein.
Zündversager	Die verwendete Patrone ist defekt. Verunreinigte Öffnung für den Zünder oder ungeeignetes Schmiermittel bei niedriger Umgebungstemperatur.	Falls es nicht zum Schuß kommt, gehen Sie nach Punkt 18 der Sicherheitsbestimmungen vor. Bauen Sie den Zünder ab und reinigen Sie ihn, verwenden Sie gegebenenfalls ein Schmiermittel für Niedrigtemperaturen.
"Schwacher Schuß", bei dem die Patronenhülse nicht ausgeworfen wird	Das Zündhütchen wurde aktiviert, aber in der Patronenhülse war kein Pulver.	Entladen Sie die Waffe und überzeugen Sie sich, ob das Geschöß nicht im Lauf steckengeblieben ist. Ein eventueller weiterer Schuß könnte den Lauf ernsthaft beschädigen!
Kein Auswerfen	Verunreinigte Patronenkammer, Auszieher oder Munition, gegebenenfalls ungeeignetes Schmiermittel bei niedriger Umgebungstemperatur.	Reinigen Sie die Pistole, bis sie trocken ist, fetten Sie sie gegebenenfalls leicht mit geeignetem Schmiermittel ein. Verwenden Sie neue saubere Munition.

Wenn die Störung auf keine oben angegebene Weise behoben werden kann, bzw. die Waffe durch groben Umgang oder Fall beschädigt ist, so vertrauen Sie die Pistole einer Fachwerkstatt zur Durchsicht und Reparatur an.

VERZEICHNIS DER ABBILDUNGEN

1. Bezeichnungen der Hauptteile
2. Herausnehmen des Magazins
3. Füllen des Magazins
4. Laden der Pistole
5. Entspannen des Verschlusses aus der "Schießbereitschaft" durch Eindrücken des Verschlussfangs
6. Auswechseln des Griffrückens
7. Einstellen des Verschlusses in Demontagestellung
8. Drücken des Demontageplättchens
9. Herausnehmen des Verschlusses

Avant de commencer à manipuler le pistolet, veuillez prendre connaissance détaillée de ce manuel, avant tout des consignes de sécurité.

Toute manipulation imprudente ou incorrecte peut provoquer un tir involontaire, ayant pour conséquence possible des blessures, la mort ou des dégâts matériels. Les mêmes conséquences peuvent s'ensuivre lors de modifications non autorisées, de corrosion ou de munitions non spécifiques ou endommagées. Dans ces cas, le fabricant ne prendra aucune responsabilité sur les dommages survenus. Cette arme a été, avant son expédition dans le réseau de vente, testée, examinée avec précautions et emballée. CZ ne peut toutefois contrôler les manipulations survenues après son départ de l'usine. C'est pourquoi nous recommandons, lors de l'achat du pistolet, de contrôler s'il n'est pas endommagé ou chargé.

La présente brochure doit toujours accompagner l'arme, même si vous la prêtez à une tierce personne ou si vous la revendez.

SOMMAIRE

SONSIGNES DE SECURITE	56
TERMINOLOGIE ET DESCRIPTION DU PISTOLET	60
Eléments de sécurité du pistolet	61
INSTRUCTIONS D'UTILISATION	61
Munitions	61
Extraction du chargeur	62
Remplissage du chargeur	62
Chargement du pistolet	62
Rechargement au cours de tir	62
Déchargement du pistolet	62
Réglage des organes de visée	63
Remplacement du dos de la poignée	63
INSTRUCTIONS D'ENTRETIEN	63
Démontage pour le nettoyage	63
Démontage du chargeur	64
Nettoyage du pistolet	64
Nettoyage du canon et de la chambre	64
Nettoyage des autres parties du pistolet	65
Conservation	65
Traitement des déchets	65
DÉRANGEMENTS	67
ÉCLATÉ ET LISTE DES PIÈCES	66
LISTE DES FIGURES	67

SONSIGNES DE SECURITE

Respectez en tout temps les consignes de sécurité suivantes, pour votre propre sécurité et pour la sécurité des autres personnes.

1. Toujours manipuler le pistolet comme s'il était chargé.
2. Ne jamais viser quoi que ce soit qui ne soit pas votre cible.
3. Ne jamais croire personne déclarant que l'arme n'est pas chargée.
4. Avant de ranger l'arme ou de la remettre à une autre personne, toujours s'assurer que l'arme n'est pas chargée.
5. Ranger le pistolet non chargé.
6. Ne jamais utiliser ce pistolet pour des agissements autres que le tir.
7. Ne jamais laisser le pistolet chargé et armé sans surveillance.
8. Avant de charger le pistolet, s'assurer que l'intérieur du canon, la chambre et la culasse sont propres et libres. Nettoyer le pistolet le plus tôt possible après le tir.
9. Ne jamais tirer avec l'arme si vous n'êtes pas certains des munitions que vous utilisez. Ne jamais utiliser de munitions qui ne seraient pas identifiées, qui auraient été manuellement chargées et dont vous ne connaissez pas l'origine. Ne pas utiliser de munitions lorsque les cartouches sont fissurées, déformées ou écrasées, ni de munitions montrant des traces de détérioration. La recharge est une opération spécialisée, devant être réalisée par un spécialiste et toute cartouche ayant été incorrectement (mal) rechargée peut devenir extrêmement dangereuse. Leur utilisation peut être synonyme de détérioration/destruction de votre arme et de blessures graves, voire même mortelles. Utiliser uniquement des munitions propres, sèches et d'origine, fabriquées en usine et de calibre correspondant à votre pistolet.
10. Avant et pendant le tir, ne jamais consommer de boissons alcoolisées ni de drogues.
11. Si les conditions le permettent, utiliser lors du tir des moyens de protection des oreilles et des lunettes spéciales de protection.
12. Ne pas bloquer la fenêtre d'éjection et contrôler que personne ne se trouve dans les environs immédiats de l'arme dans la direction de l'éjection.
13. Ne pas mettre le doigt sur la détente ou dans le pontet si vous ne visez pas la cible ou si vous n'êtes pas prêt au tir.
14. Avant d'appuyer sur la détente, contrôler encore une fois la cible et l'espace derrière la cible. La balle peut traverser la cible ou la manquer et porter à plusieurs centaines de mètres.
15. Ne jamais tirer à la surface de l'eau ni sur des surfaces dures, par exemple de la pierre.

16. Ne pas utiliser le pistolet à proximité d'animaux qui ne sont pas habitués à ce bruit.
17. Ne jamais se permettre des "blagues" avec le pistolet en mains.
18. Raté au tir: Lors d'un raté au tir, attendre 30 secondes dirigeant l'arme en direction de la cible ou vers un lieu sûr. Si l'amorçage est retardé, la cartouche doit tirer dans les trente secondes. Si le tir n'aura pas lieu, enlever la cartouche du canon et la contrôler. Si la trace du percuteur est faible ou absente, remettre l'arme pour contrôle chez un armurier qualifié avant le tir suivant.
19. Avant de nettoyer, de ranger ou de transporter le pistolet, toujours s'assurer qu'il n'est ni chargé, ni armé. Retirer de l'arme toutes les cartouches n'ayant pas été tirées et les ranger ensuite conformément à la législation en vigueur.
20. Ranger le pistolet et les munitions dans un lieu séparé, fermé à clef et hors de portée des enfants et des personnes non autorisées. Toujours protéger les munitions contre les sources de chaleur et les flammes vives.
21. Ne jamais modifier aucune pièce du pistolet. Ceci peut influencer son bon fonctionnement et sa sécurité.
22. Toujours avoir en mémoire que la corrosion, l'utilisation de munitions endommagées, la chute du pistolet sur une surface dure ou toute autre manipulation rude peut être à la source de dommages qui ne sont pas visibles à première vue. Si une telle situation apparaît, laisser contrôler le pistolet par un spécialiste.

REGLES DE LA MANIPULATION SURE D'ORGANES DE VISEE DE TRITIUM

Les organes de visée au tritium pour pistolets CZ comportent un kit avec un guidon lumineux (radiateur au tritium ayant une activité de 0,565 GBq) et des organes de visée attière lumineuse - une hausse (2 radiateurs au tritium ayant une activité de 0,444 GBq) qui est installé sur l'arme au moyen des queues d'aronde précises. Le tritium à l'état gazeux (99 % HT et 1 % HTO) est enfermé dans les ampoules en palstique contenant un luminophre et ces ampoules sont collées dans le fourreau métallique des organes de visée de façon que la manipulation et le stockage des organes de visée ne soient liés à aucun risques. Les organes de visée sont identifiés par la marque H3 (tritium radioactif).

La troisième génération d'organes de visée conserve tous les attributs avantageux de la génération précédente et plusieurs améliorations lui ont été ajoutées :



- amortisseur de chocs intégré ;
- douille protectrice solide fournissant moins de sensibilité contre la manipulation rude
- fenêtre fixe pour une meilleure sortie lumineuse, avec protection complémentaire contre les dommages ;
- résistance à une plus longue immersion dans des dissolvants et produits de nettoyage couramment utilisés ;
- luminosité d'exploitation garantie durant une période de 12 ans ;
- le moule d'étanchéité protège les organes de visée contre les dommages accidentels, empêche la manipulation non-désirée de la source lumineuse, empêche la saleté de pénétrer dans le système de visée et dans la couverture de la lumière ;
- garantit une transition plus fine entre les conditions de visée de jour et de nuit ;
- installation simple (aucune modification de l'arme n'est nécessaire) ;
- n'augmente pas le poids ni la taille ;
- aucun entretien ;
- aucune batterie requise (aucunes pertes d'énergie par temps froid).

Consignes de sécurité en cas de dommages des organes de visée

En conditions régulières du stockage, de l'utilisation et de l'entretien des organes de visée il n'y a aucun risque à l'utilisateur provoqué par radiation ionisante émise, parce qu'elle ne pénètre pas les capsules métalliques, dans lesquels les ampoules avec les radiateurs sont fixées. En cas de l'endommagement accidentel presque irréel de toutes les ampoules dans un ensemble au moment, quand l'arme est en position de tir (position de la hausse plus près du tireur), la dose efficace simple de radiation ne dépasserait pas la valeur de 0,26 mSv. Qu'est-ce que présente cette valeur? Par exemple:

- 1/12 de la dose qui est reçue par un habitant ordinaire dans le cours d'une année due au fond radioactif normal (3,5 mSv / année)
- moins que 1/4 de la limite générale de la dose effective à un habitant ordinaire

Premiers secours recommandés après l'inspiration du tritium gazeux

L'état gazeux de tritium est pratiquement inactif et cause une légère contamination interne. En cas de son inspiration on recommande d'augmenter la prise des liquides et de prendre éventuellement un certain diurétique (bière avec le bas taux d'alcool) pour l'accélération de l'échange de l'eau en corps.

LES OBLIGATIONS DU PROPRIETAIRE DES ORGANES DE VISEE DU TRITIUM

1. Les organes de visée sont un radiateur radioactif dans la période de 6,5 ans après leur achat selon la législation de la République Tchèque.
2. Lors de l'achat, le propriétaire du dispositif obtient un guide avec des règles de la manipulation sûre et un document sur l'étanchéité des radiateurs radionucléiques dans l'ensemble (certificat du radiateur radionucléique capsulé), qui doit être préservé et présenté sur demande de l'autorité compétente.
3. En manipulant un type du produit approuvé, qui est la source de radiation ionisante, il est nécessaire de respecter des règlements nationaux pour la protection contre la radiation ionisante (la législation nationale appropriée).
4. En cas de propriété de plus que 9 ensembles des organes de visée (l'activité totale excédant 10 GBq), le propriétaire est obligé de consulter les devoirs résultants de la législation nationale appropriée chez l'autorité compétente.
5. Eviter une telle manipulation, quand des endommagements mécaniques rudes des organes de visée peuvent se produire.
6. Il est interdit d'effectuer tout changement des organes, concernant leurs propriétés importantes pour la protection contre la radiation.
7. En cas de destruction ou de dommages, les organes de visée ne doivent pas être employées de plus. Le propriétaire doit mettre en sûreté le dispositif changé d'une telle manière et de le passer au distributeur ou au fabricant pour la liquidation sûre. Le même procédé s'applique pour la liquidation des organes de visée inutilisés de plus.
8. La manipulation avec des organes de visée est régie par des principes généraux de la protection contre la radiation ionisante. Lors de l'utilisation courante il n'y a aucun essai d'étanchéité demandé pendant la durée de vie des organes de visée.

Les types d'organes de visée ont été approuvés par décision de l'autorité compétente (Státní úřad pro jadernou bezpečnost - Office national pour la sécurité nucléaire) n° SÚJB/RCAB/9960/2014.

20.4.2018
 Státní úřad pro jadernou bezpečnost
 Regionální centrum Praha
 Bartoškova 28
 140 00 Praha 4

TERMINOLOGIE ET DESCRIPTION DU PISTOLET

Les appellations des éléments principaux du pistolet sont reprises à la figure 1. Les différentes pièces sont reprises dans le chapitre "*Liste des pièces*".

Le pistolet CZ P-10 est une arme à chargement automatique dont le canon a un recul court. Ce pistolet est destiné pour tirer jusqu'à 50 mètres. Le mécanisme de la culasse est verrouillé. Ce pistolet est équipé d'un mécanisme de détente à but unique, précontraint, le percuteur rectiligne est bloqué par une sûreté intérieure (automatique). La carcasse du pistolet est fabriquée en matière plastique. Parmi les caractéristiques principales du pistolet citons:

- bonne tenue de chaque main
- bons résultats au tir instinctif (sans pointage)
- faible résistance de la détente
- haute précision de tir
- longue durée de vie
- haute fiabilité même avec des balles des types différents
- dispositifs de visée adaptés pour viser en conditions de la visibilité détériorée
- après le tir de la dernière cartouche, la culasse reste ouvert
- convenable à être porté comme une arme quotidienne de service
- en standard, le pistolet est équipé d'un arrêteur du chargeur bilatéral/réversible et d'un arrêteur de culasse, bilatéral lui aussi
- carcasse dans la partie avant est modifiée par les rainures de fixation à appliquer des accessoires spéciales
- possibilité d'augmenter la capacité du chargeur en remplaçant très simplement le fond du chargeur

Les pistolets CZ P-10 Optics Ready sont des armes qui ont été modifiées en usine afin qu'il soit possible d'y installer facilement des collimateurs compacts et modernes issus d'une large palette de marques renommées (comme par exemple Trijicon, Vortex, Meopta, Leupold). Grâce à ces modifications, le montage sera également très stable. Parmi les principaux avantages des pistolets CZ Optics Ready, nous pouvons citer:

- l'extraordinaire robustesse, solidité et résistance du montage
- une hauteur de construction basse
- la simplicité du réglage du collimateur et ce, même pour un tir à longue distance
- la possibilité d'utiliser des éléments de visée mécaniques co-witness élevés en cas de défaillance des dispositifs optiques (en standard sur le modèle CZ P-10 C Optics Ready)
- la compatibilité avec un grand nombre de collimateurs chevronnés (le dispositif optique ne fait pas partie des fournitures)
- un design assorti à la forme des pistolets CZ d'origine

Explications:***SA avec précontrainte (Single Action)***

Action simple du mécanisme de détente, avec précontrainte. Avant de procéder au tir, le dispositif de percussion à percuteur rectiligne doit être partiellement tendu. Lorsque vous appuyez sur la détente, il se tendra complètement avant de se détendre. Après chaque tir, il est nécessaire de relâcher brièvement la détente.

Eléments de sécurité du pistolet***Pontet***

Il empêche un appui inopiné de la détente, par exemple lors de la chute du pistolet.

Sûreté anti-chute

Ce dispositif minimise le risque de tir involontaire suite à une manipulation incorrecte de l'arme, et plus particulièrement en cas de chute de l'arme alors qu'elle est chargée - risque de tir en raison de l'inertie du percuteur.

Sûreté de la détente

Cette sûreté empêche la détente de se mouvoir de manière involontaire. Tant que la sûreté de la détente n'aura pas été désactivée, il ne sera pas possible d'appuyer sur la détente et donc de tirer.

Blocage du percuteur

Cette sûreté empêche le percuteur de se déplacer tant que vous n'appuyez pas sur la détente.

INSTRUCTIONS D'UTILISATION**Munitions**

Toujours utiliser des munitions dont la production est autorisée, qui satisfont aux normes en vigueur en termes de munitions et qui ont été approuvées par l'organisation CIP (Commission internationale permanente pour les épreuves d'armes et munitions) ou SAAMI (Standard américaine pour les armes et munitions). L'utilisation d'autres munitions peut être source de dommages à l'arme ou de blessures pour le tireur. Si vous utilisez des munitions d'usine ayant une vitesse standard, l'utilisation des armes de la société Česká zbrojovka a.s. est sûre. Toujours vérifier les munitions que vous envisagez d'utiliser, ceci afin d'être certains qu'elles correspondent au calibre de votre arme. Sur toutes les cartouches fabriquées dans un but commercial, le calibre sera clairement indiqué sur le fond de la cartouche, éventuellement autour du fond de la cartouche. Le fabricant recommande de ne pas utiliser trop souvent l'arme pour réaliser un tir à vide (sans cartouche). Pour un « entraînement à sec », il vous recommande d'utiliser des cartouches factices qui ont été spécialement conçues pour ce type d'utilisation.

Extraction du chargeur

Le pistolet est équipé d'un arrêteur du chargeur qui est bilatéral/réversible. Saisir le pistolet avec la main droite (gauche) et par le pouce (médius) appuyer sur l'arrêteur du chargeur (figure 2). Le chargeur se relâche et tombe de la carcasse.

Remplissage du chargeur

Tenir le chargeur par la main, ouverture vers le haut. Placer la cartouche au devant de l'élévateur et l'appuyer vers le bas puis vers l'arrière jusqu'à ce qu'elle soit au contact de la face arrière du chargeur (figure 3). La cartouche suivante poser sur la précédente et l'introduire de la même manière. Lorsque le chargeur est presque plein, il est recommandé d'appuyer sur la colonne des cartouches déjà placées avec le pouce de la main qui tient le chargeur.

Le nombre de cartouches dans le chargeur peut être contrôlé au moyen des orifices de contrôle. Ne pas dépasser le nombre prévu de cartouches - ceci pourrait entraîner des problèmes lors du passage de la première cartouche dans la chambre.

Chargement du pistolet

PENDANT LE CHARGEMENT TENIR LE PISTOLET DIRIGE VERS UN LIEU SUR!

Insérer le chargeur plein dans le pistolet et s'assurer qu'il s'est bien verrouillé par l'arrêteur du chargeur.

Saisir le pistolet d'une main et du pouce et de l'index de l'autre main, tenir fermement la partie rainurée de la culasse. Tirer la culasse vers l'arrière jusqu'à fin de course et le lâcher (figure 4). Le mécanisme de détente et le dispositif de percussion se tendent et une cartouche monte dans la chambre. Le pistolet est ainsi prêt au tir.

Rechargement au cours de tir

Lorsque la dernière cartouche a été tirée, la culasse reste en position arrière. Enlever le chargeur vide et insérer un chargeur plein. Avec la main qui tient le pistolet, appuyer sur l'arrêteur de culasse vers le bas (figure 5) ou par l'autre main tirer la culasse vers l'arrière et la lâcher. Le pistolet est ainsi chargé de nouveau et il est prêt au tir.

Déchargement du pistolet

TENIR LE PISTOLET DIRIGE VERS UN LIEU SUR!

- enlever le chargeur
- tirer la culasse vers l'arrière et s'assurer que la cartouche a été extraite de la chambre et éjectée
- lâcher la culasse
- appuyer sur la détente (coup de sécurité)

Réglage des organes de visée

Le pistolet a été réglé en usine pour une distance de 15 m (25 m pour le modèle CZ P-10 F) et ce, pour que le point d'impact central soit approximativement identique au point visé. La correction latérale peut être réalisée en déplaçant la hausse dans la queue d'aronde et en l'y fixant à l'aide d'une petite vis. Le réglage de la hauteur se réalise en remplaçant le guidon par un guidon plus ou moins élevé et en le fixant avec une petite vis.

Remplacement du dos de la poignée

Chaque pistolet est fourni avec un kit de dos de remplacement qui permettront d'adapter la forme arrière de la poignée aux besoins de l'utilisateur. Le remplacement d'un type de dos par un autre se réalise après avoir enlevé la goupille du dos (figure 6).

INSTRUCTIONS D'ENTRETIEN

Démontage pour le nettoyage

DIRIGER LE PISTOLET VERS UN LIEU SUR!

1. Enlever le chargeur. Il est impossible de démonter un pistolet avec un chargeur engagé!
2. S'ASSURER QU'IL N'Y A PAS DE CARTOUCHE DANS LA CHAMBRE!
3. Appuyer sur la détente et vérifier qu'elle est bien restée en position arrière.
4. Prendre le cadre avec la paume d'une main et, par le haut, tenir la partie arrière de la culasse avec les doigts de la même main. Avec vos doigts, déplacer la culasse de maximum 5 mm vers l'arrière (figure 7).
5. Dans le même temps, des deux côtés, presser avec les doigts de votre deuxième main sur les boutons de la plaquette de démontage pour les rabaisser jusqu'à ce qu'ils soient en butée (figure 8).
6. Relâcher les doigts qui maintiennent la culasse et retirer cette dernière du cadre (figure 7).
7. Retirer le ressort de retour de la culasse et retirer enfin le canon.

Remarque:

Avant de réinstaller la culasse sur le cadre, il est nécessaire de régler la détente dans sa position arrière (enfoncée). Cette opération est nécessaire pour éviter les collisions entre la culasse et la saillie qui se trouve sur le levier de la détente.

Ce démontage est suffisant pour l'entretien courant. Après avoir tiré un grand nombre de cartouches, démonter aussi le chargeur. Pour nettoyage du percuteur, veuillez confier le pistolet à un armurier.

Démontage du chargeur

Il diffère conformément à la construction du chargeur. S'il y a un orifice situé dans le fond du chargeur, appuyez l'arrêt du fond à travers cet orifice et faites sortir le fond du chargeur légèrement vers l'avant. Si le chargeur est muni par un arrêt coulissant à l'arrière du fond, déplacez le dans une position de démontage et ensuite faites sortir le fond du chargeur légèrement vers l'avant. Puis, mettez votre pouce au-dessus du fond pour retenir le ressort et avec votre deuxième main, faites sortir le fond entièrement hors des rainures. Lors de ce démontage, prendre les précautions nécessaires pour que le ressort ne "saute" pas.

REMARQUE:

Ne pas démonter les autres parties du pistolet. Si vous avez l'impression que l'arme a besoin d'un réglage ou d'une réparation, confiez-la à un atelier spécialisé!

Nettoyage du pistolet

Nettoyer le pistolet

- après chaque usage
- chaque fois qu'il a été mouillé
- le plus tôt possible après le tir
- au moins une fois par an dans des conditions climatiques modérées
- au moins une fois par mois dans des conditions climatiques sévères

Nettoyage du canon et de la chambre

Si aucun tir n'a eu lieu ou si seulement quelques cartouches ont été tirées, nettoyer le canon et la chambre avec un chiffon sec fixé sur la tige de nettoyage, jusqu'à ce que le dernier chiffon reste propre.

Si le canon est fortement encrassé, injecter du liquide de nettoyage dans le canon et dans la chambre et laisser agir une dizaine de minutes (cette durée peut varier selon les produits) et nettoyer l'intérieur du canon avec la brosse. Sécher l'intérieur du canon et la chambre avec un chiffon doux et contrôler que tous les dépôts ont été enlevés. Si besoin, répéter cette opération.

Toujours insérer la tige de nettoyage à partir de la chambre pour ne pas endommager la bouche du canon. Pousser la brosse sur toute la longueur du canon sans changer la direction du mouvement. Si ce mouvement est inversé à l'intérieur du canon, la brosse pourrait rester bloquée.

Nettoyage des autres parties du pistolet

Les autres parties du pistolet (y compris les surfaces extérieures de l'arme) doivent être nettoyées avec un chiffon, une vieille brosse à dents, une brosse en laiton ou un grattoir en bois. Le nettoyage peut se faire soit à l'huile de conservation, soit au pétrole. Ne jamais utiliser les produits destinés au nettoyage du canon, ceux-ci pourraient rester dans les fentes et provoquer de la corrosion.

S'assurer qu'aucun débris de chiffon ou aucun poil de brosse n'est resté entre les pièces du pistolet.

Conservation

L'intérieur du canon, la chambre et toutes les parties accessibles, après nettoyage final avec un chiffon doux, peuvent être essuyées avec un chiffon doux imprégné d'huile de conservation; éventuellement utiliser un pulvérisateur à huile. Enlever l'excédent d'huile.

Avant le tir, essuyer à sec l'intérieur du canon. Si le pistolet doit être utilisé à basse température, enlever l'huile de toutes les parties accessibles ou utiliser des lubrifiants spéciaux pour ces conditions climatiques.

N'utiliser la vaseline de conservation que pour l'entreposage de longue durée dans des conditions climatiques sévères; enlever cette vaseline avant toute utilisation du pistolet.

Traitement des déchets

Si les matériaux du produit et de l'emballage sont traités correctement, ils n'ont aucune incidence négative ni sur la santé humaine ni sur l'environnement. En cas de besoin de l'élimination du produit ou de son emballage, les parties métalliques (l'acier, les métaux non ferreux), les emballages plastiques, le papier et le carton doivent être déposés séparément dans les conteneurs qui y sont destinés.

LISTE DES PIÈCES

- | | |
|---|--|
| <p>1 Culasse *</p> <p>2 Canon *</p> <p>3 Percuteur (ensemble)</p> <p style="padding-left: 20px;">a) Percuteur</p> <p style="padding-left: 20px;">b) Support du ressort (2x)</p> <p style="padding-left: 20px;">c) Conteneur du percuteur</p> <p style="padding-left: 20px;">d) Sûreté automatique</p> <p style="padding-left: 20px;">e) Ressort de percussion</p> <p style="padding-left: 20px;">f) Ressort de la sûreté automatique</p> <p style="padding-left: 20px;">g) Goujon de la sûreté automatique</p> <p>4 Bloc avant</p> <p>5 Bloc arrière</p> <p>6 Arrêteur de la culasse</p> <p>7 Levier de la détente</p> <p>8 Arrêteur du chargeur *</p> <p>9 Axe de l'arrêteur du chargeur *</p> <p>10 Rupteur du levier de la détente *</p> <p>11 Plaquette de démontage</p> <p>12 Extracteur</p> <p>13 Cadre</p> <p>14 a) Dos « S »</p> <p style="padding-left: 20px;">b) Dos « M »</p> <p style="padding-left: 20px;">c) Dos « L »</p> <p>15 Détente</p> <p>16 Sûreté de la détente</p> <p>17 Cache de la culasse</p> <p>18 Cube de la plaquette de démontage</p> | <p>19 Ressort de retour *</p> <p>20 Ressort de l'extracteur</p> <p>21 Ressort de l'arrêteur de la culasse</p> <p>22 Ressort du levier de la culasse (2x)</p> <p>23 Ressort de l'arrêteur du chargeur *</p> <p>24 Ressort du rupteur du levier de la détente</p> <p>25 Ressort de la plaquette de démontage</p> <p>26 Ressort de la sûreté de la détente</p> <p>27 Goupille de l'arrêteur du chargeur *</p> <p>28 Goujon du levier de la détente</p> <p>29 Goupille du ressort du levier de la détente</p> <p>30 Goujon de l'extracteur</p> <p>31 Goupille enroulée du bloc arrière (2x)</p> <p>32 Goupille enroulée du bloc avant</p> <p>33 Goupille du dos</p> <p>34 Goujon de la sûreté de la détente</p> <p>35 Goujon du bloc avant</p> <p>36 Vis du guidon *</p> <p>37 Vis de hausse *</p> <p>38 Kit d'éléments de visée *</p> <p>39 Chargeur *</p> <p>40 Capuchon *</p> <p>41 Vis du capuchon (2x) *</p> <p>42 Platine du collimateur *</p> <p>43 Vis de la platine du collimateur (2x) *</p> |
|---|--|

* Les pièces marquées avec l'étoile sont différentes pour les versions particulières, éventuellement ils manquent aux quelques modèles.

DÉRANGEMENTS

En cas d'entretien régulier et d'utilisation normale, la probabilité de panne est minimale. Si toutefois une telle situation apparaissait, veuillez appliquer les instructions suivantes.

ATTENTION! En cas de problèmes en cours de tir, la probabilité d'un tir inattendu augmente fortement. C'est pourquoi les consignes de sécurité doivent rester d'application stricte. Toujours garder l'arme dirigée vers un lieu sûr, ne jamais la diriger vers les personnes présentes, ne jamais placer la main devant la bouche du canon!

Si vous employez votre pistolet pour la protection personnelle ou des raisons de service on recommande de procurer les "cartouches de formation" et apprendre le dépannage rapide des pannes décrites ci-après.

Problème	Cause probable	Elimination du problème
La cartouche ne monte pas dans la chambre ou la culasse ne se ferme pas	Le chargeur n'est pas suffisamment enfoncé dans son logement ou est endommagé. L'arme ou les munitions sont fortement encrassées ou trop graissées.	Engager le chargeur à fond ou utiliser un autre chargeur. Nettoyer l'arme et les munitions à sec, si besoin légèrement graisser.
Percussion ratée	La cartouche utilisée est défectueuse. L'orifice pour le percuteur est bouché par des impuretés ou par de la graisse à basse température.	Si même résultat, appliquer le point 18 des consignes de sécurité. Démonter et nettoyer le percuteur, si besoin utiliser un lubrifiant pour basses températures.
"Coup" faible et non-éjection de la cartouche	L'amorce a été percutee, mais la douille ne contient pas de poudre.	Décharger l'arme et s'assurer que la balle n'est pas restée dans le canon. L'autre projectile éventuel pourrait gravement endommager le canon!
Pas d'éjection	Chambre, cartouche ou éjecteur fortement encrassé, éventuellement bloqué par de la graisse à basse température.	Nettoyer l'arme à sec, si besoin graisser légèrement. N'utiliser que des munitions neuves, propres.

Si aucun procédé ci-dessus ne permet d'éliminer le problème, ou bien si l'arme est subie une dégradation due à une manipulation rude ou encore à une chute, veuillez confier votre arme à un atelier spécialisé.

Le fabricant se réserve le droit de réaliser des modifications nécessaires à l'amélioration de son produit ou répondant à des exigences de caractère technique ou commercial.

LISTE DES FIGURES

1. Dénomination des principaux éléments
2. Extraction du chargeur
3. Remplissage du chargeur
4. Chargement du pistolet
5. Déverrouillage de la culasse de sa « position de stand-by » en appuyant sur l'arrêtoire de la culasse
6. Remplacement du dos de la poignée
7. Comment placer la culasse en position de démontage
8. Comment enfoncer la plaquette de démontage
9. Retrait de la culasse

NOTES - NOTAS - POZNÁMKY - ANMERKUNGEN - NOTICES

.....

.....

.....

.....

.....

.....

.....

.....

.....

.....

.....

NOTES - NOTAS - POZNÁMKY - ANMERKUNGEN - NOTICES

.....

.....

.....

.....

.....

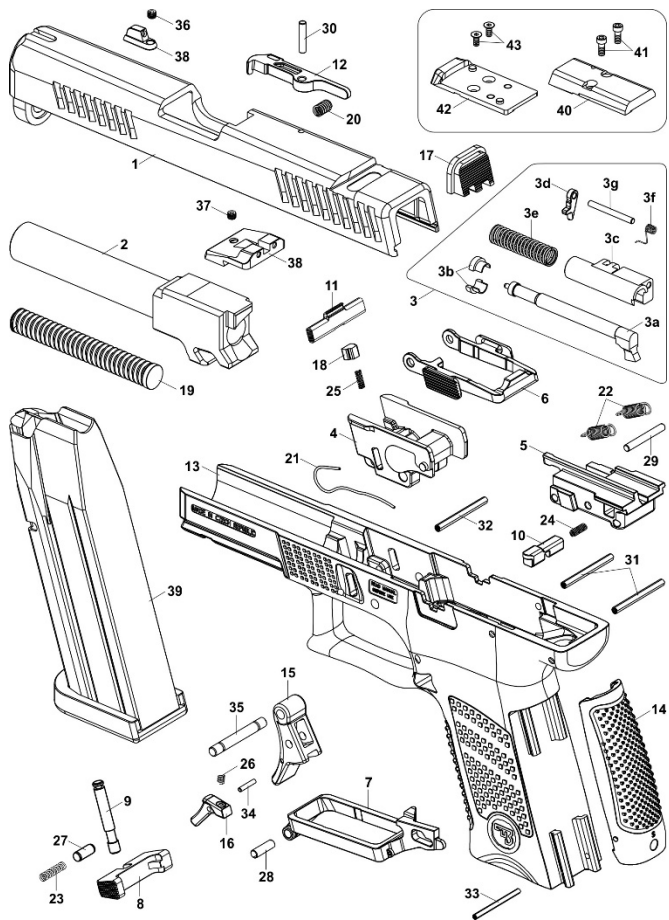
.....

.....

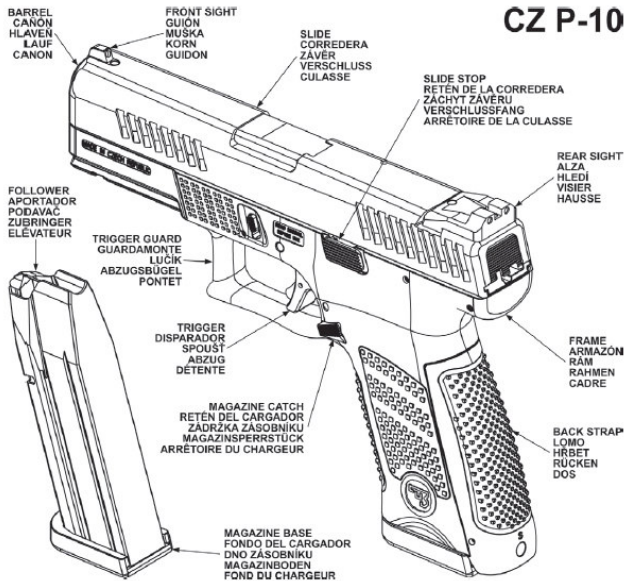
.....

.....

.....



1



2



3



4



5



6



7



8



9

